

Installation Instructions

Ironclad® H2O Pro Correctional Shower Fixture

Recommend Two-Person Installation

TOOLS/ MATERIALS NEEDED:

Using Spike Anchors

- Hammer drill for spike anchors installation
- 1/4" ANSI concrete drill bit
- Recommend using optional Spike Anchor driver installation tool
- Pick Proof Caulking

**Not included but recommended for installation*

- Hammer Drill Spike Driver Installation Tool
- 1/4" concrete bit

Using Tamper-proof Bolts

- 3/8" ANSI concrete drill bit
- 1/4" Internal Dia. Drop-In Anchor Setting Tool*
- Torx T27H
- Pick Proof Caulking

**Not included but recommended for installation*

- Anch 1/4" Internal Dia. Drop-In Anchor Setting Tool
- 3/8" concrete bit

IMPORTANT: READ CAREFULLY BEFORE INSTALLING FIXTURE. RETAIN THESE INSTRUCTIONS FOR FUTURE REFERENCE.

Must be wired in accordance with the National Electrical Code and all applicable local codes.

THIS PRODUCT MUST BE INSTALLED IN ACCORDANCE WITH THE APPLICABLE INSTALLATION CODE BY A PERSON FAMILIAR WITH THE CONSTRUCTION AND OPERATION OF THE PRODUCT AND THE HAZARDS INVOLVED.

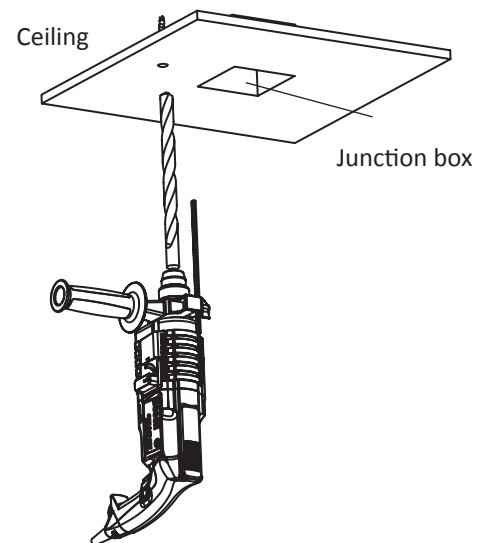
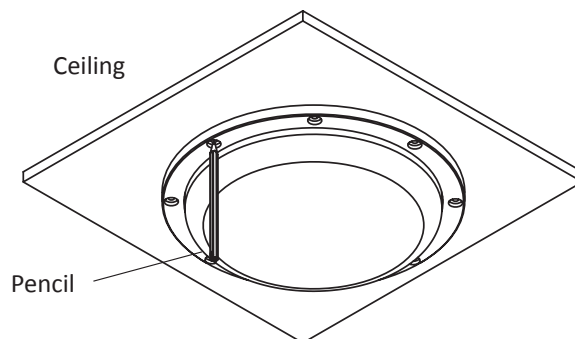
WARNING: Make certain power is OFF before installing or maintaining fixture. No user serviceable parts inside. Cannot be upgraded or re-used after life of fixture.

CONTENTS

- Ironclad® H2O Pro Assembled LED fixture
- Optional: (7) spike anchors or (7) 1/4 x 20 Tamper-proof stainless-steel bolts and drop-in concrete anchors

MOUNTING FIXTURE TO CEILING

1. Turn power off
2. Place and center fixture up to junction box in ceiling.
3. Mark any hole position in the fixture on the ceiling using a pencil or marker.
4. Move the fixture away from the ceiling.
5. **If using spike anchors**, drill hole at marked location using a 1/4" concrete bit. Drill hole 2" deep and remove any dust in hole.
6. **If using tamper-proof bolts**, drill hole at marked location using a 3/8" concrete bit. Drill the hole 1" deep.



INSTALLATION USING TORX TAMPER-PROOF BOLTS:

1. Set drop-in anchor with setting tool into the 3/8" drilled hole.
2. Position fixture centered on junction box and install tamper-proof through fixture ring and tighten to ceiling. Drill remaining 5 holes through the fixture ring and into the ceiling making sure ring does not move when drilling the 5 remaining holes. Loosen single bolt and clean and dust off of fixture.
3. Proceed to wiring Instructions.

WIRING INSTRUCTIONS:

1. Connect white neutral wire to white neutral power feed using approved ANSI connector
2. Connect black line wire to black line power feed using approved ANSI connector
3. Connect green ground wire from fixture to appropriate ground in junction box.
4. CRITICAL – Turn power on and test fixture to make sure it is operating before moving to next installation step 5
5. After confirming fixture is operational, turn power off.

INSTALLATION CONTINUED:

6. Wipe excess dust from ceiling where fixture will be mounted.
7. OPTIONAL – it is recommended to add a bead of waterproof caulking around outer edge of fixture.
8. Remove paper liner off of the gasket on the back of fixture to expose the adhesive.
9. Position the fixture centered with the junction box and proceed to push the fixture to the ceiling making sure all the wires are contained in the junction box.
10. If using spike anchors continue to step 11. If using tamper-proof bolts, continue to step 15,
11. Using hammer drill, completely drive the first spike anchor until fully set.
12. Drill the next hole across from the first anchor and drive the second anchor to fully set.
13. Continue drilling and driving the remaining (4) holes.
14. If using bolts, drive all 6 bolts and secure the fixture to the ceiling.
15. Add a bead of pick proof caulking around the perimeter of the fixture.

