



LED HYBRID HAZLO™

HAZARDOUS LOCATIONS

The LED Hybrid™ fixture is a durable multi-purpose and corrosion-resistant LED lighting solution that can be used in heavy industrial applications where hazardous location lighting is required. The Hybrid uses thermally conductive engineered polymers to extract heat away from the light source and its natural convection allows for maximum thermal performance while minimizing energy costs.



Manufactured in America with globally and domestically sourced components



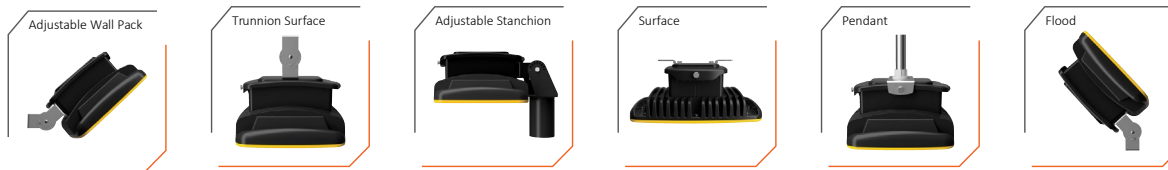
Ordering Chart Information

Example: 010-HY-50-ST-CL-VL-B-HZ-SC-H0-01

Wattage		Fixture	CCT		Mount		Optics		Voltage		Face Color		Spec	Lens Material	
010	24W ¹	HY Hybrid	40	4000K	ST	Area	FR	Frosted ²	VL	120-277V	Y	Yellow	HZ Hazardous Locations	00	Polycarbonate
030	30W		50	5000K	FL	Flood	CL	Clear ³	VH	480V ⁴	B	Black		LG	Laminated Glass
035	35W				WN	Wall Pack			EM	120-277V ⁵					
045	45W														
048	48W														
060	60W														
070	70W														
090	90W														
095	95W														
Accessories					Build							Rev			
SC	Safety Cable				H0	Adjustable Wall Pack						01			
SW	Sample Whip				H2	Stainless Steel Surface Trunnion						02 ⁷			
PS	Photocell ⁶				H3	Adjustable Wall Pack Black									
					H4	Adjustable Stanchion 2 3/8"									
					H5	Trunnion Surface									
					H6	Surface Mount Connector Hub									
					H7	Pendant Mount									
					V2	Adjustable Stanchion 1 1/2"									
					Z0	Stainless Steel Rotating Bracket Lid									
Notes: 1. 10W w/ Emergency Battery Backup. Only Selectable with EM Voltage 2. NEMA 7x7 BA (116°) 3. NEMA 7x7 BA (113°) 4. 30W Only 5. 120-277V w/ Emergency Battery Backup. Only Selectable with 010 Wattage 6. w/ Safety Cable 7. Can only be selectable/ is compatible only with 45W and 90W.															

For accessories not shown or custom plates, please contact customer service at (800) 223-0853.

Mounting Options



Specifications

Lumens: 3830 - 14590 lm

Watts: 30W, 45W, 48W, 60W, 90W, 95W

Voltage: 120-277 VAC & 347-48 VAC (30W Only)

Main Light CRI: 80

Night Light CRI: N/A

Dimming: 0-10 VAC

LED Life: L70 > 100,000 hours

Lens: Clear or Frosted Polycarbonate (*Laminated Glass Lens Optional*)

Efficacy: 124-176 LPW

Housing: The Hybrid engineered plastics are made from a variety of outdoor rated polycarbonate resins. The unique feature of the housing is that it is made of a specially compounded thermally conductive polycarbonate resin. This allows for excellent heat transfer and heat management of the LED junction temperature and eliminated the typical aluminum housing which has coatings that are highly receptive to corrosion and degradation.

Dimensions: 13.0" (L) x 10.13" (W) x 5.35" x (H)

Color Temperatures: 4000K & 5000K

Operating Temperatures: -22°F to 122°F; -30°C to 50°C

Temperature Ratings: 45W & 90W Temperature Rating: T3C (Class 1), T4 (Class 2 & 3), 30W Temperature Rating: T5 (Class 1), T4 (Class 2 & 3)

Features: No accessible parts or hinges, Extreme Durability - hammer & knife tested

Applications: Gas Stations, Grain Elevators, Food Processing, Distilleries, Chemical Plants, Refineries, Pulp and Paper Mills, Power Generation, Wastewater Treatment Plants, Ship Yards, Mines, Petroleum

Warranty: 5-year limited warranty. Complete warranty terms located [here](#).

Hazardous Classifications

Class 1: Flammable Gases & Liquids

- **Division 2:** The hazardous atmosphere is only available infrequently (i.e. in case of spill).
- **Groups A, B, C, D:** Includes acetylene, hydrogen and similar gases to it, plus common flammable substances such as butane, gasoline, natural gas and propane.

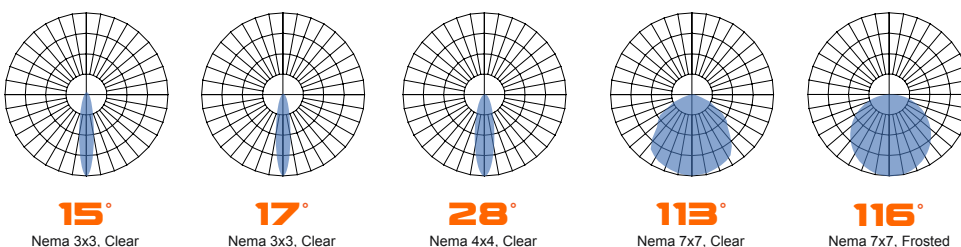
Class 2: Dust

- **Division 2:** The hazardous atmosphere is only available infrequently (i.e. in case of spill).
- **Groups F, G:** Group F contains dusts consisting of or containing carbon or its compounds (i.e. coal), and Group G dusts are non-conductive dusts (i.e. grain, wood or plastic).

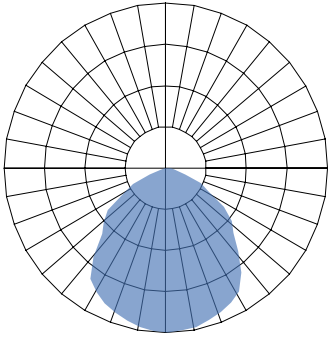
Class 3: Fibers or Flyings

- Contains easily ignitable fibers or flyings, but the concentration of these fibers or flyings are not suspending in the air in such quantities that would produce ignitable mixtures.

Beam Angles



Photometric Data

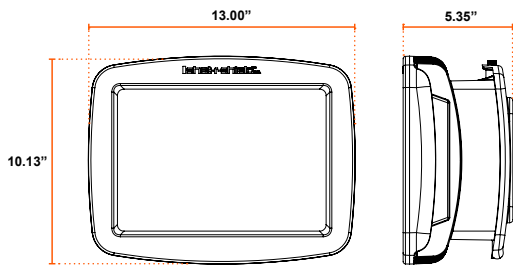


Indoor Report

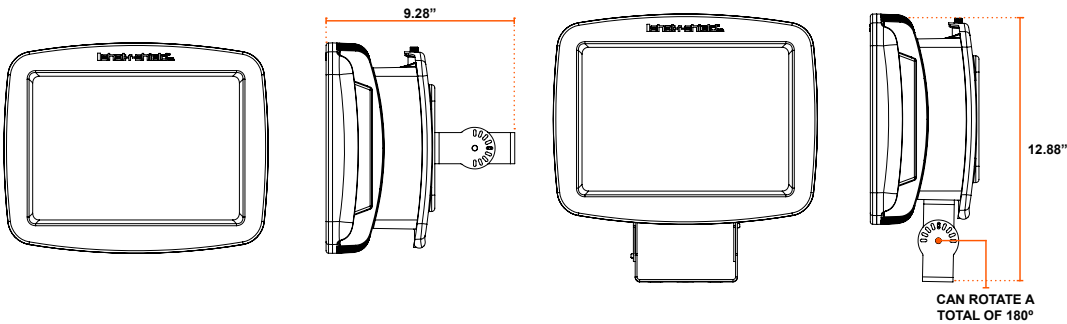
- Maximum Candela = 5880.1
- Luminaire Lumens = 14576

Dimensions

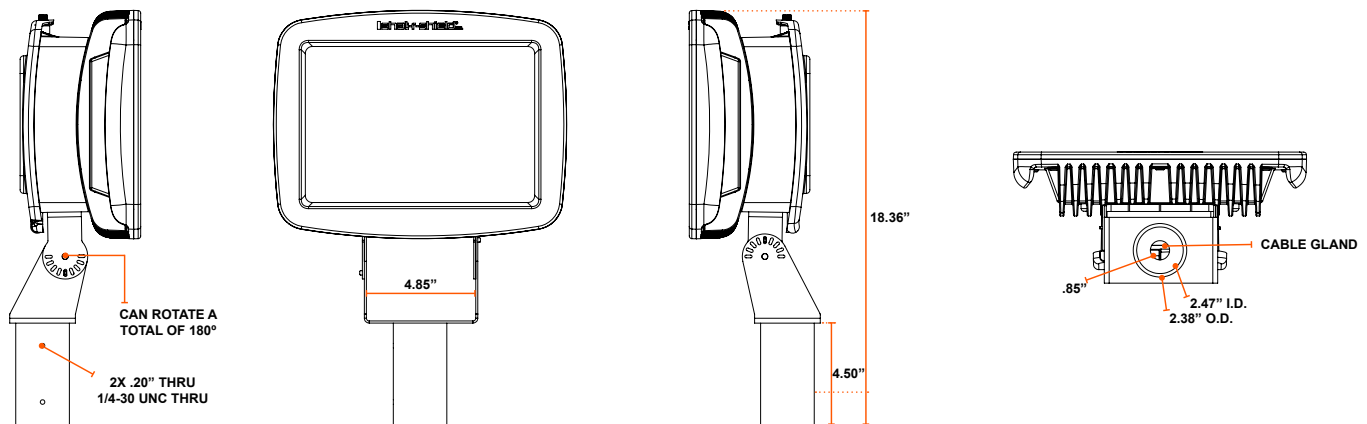
Hazlo



Rotating Bracket - H0

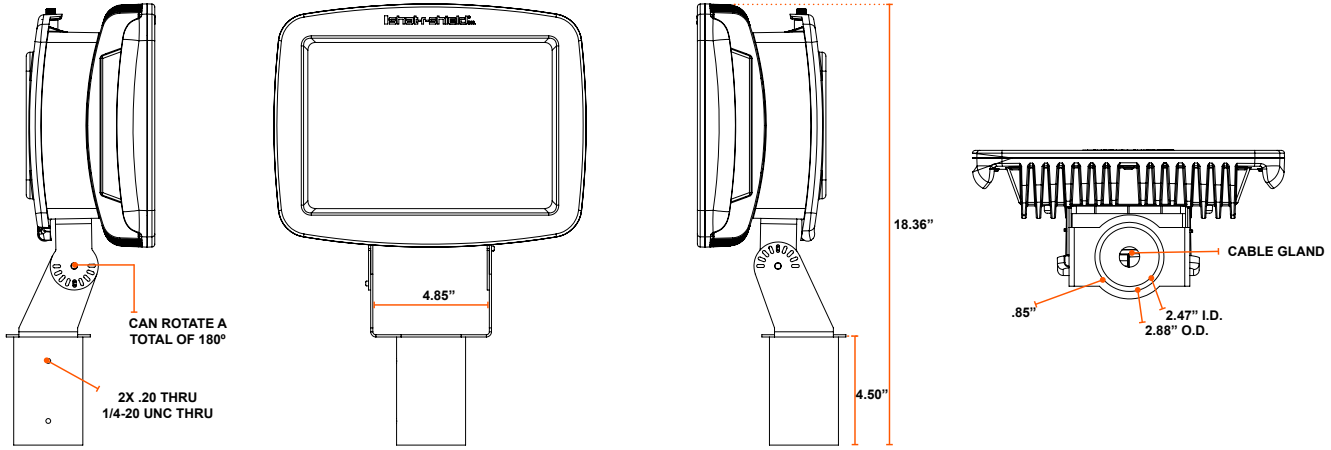


Stanchion Mount - V2

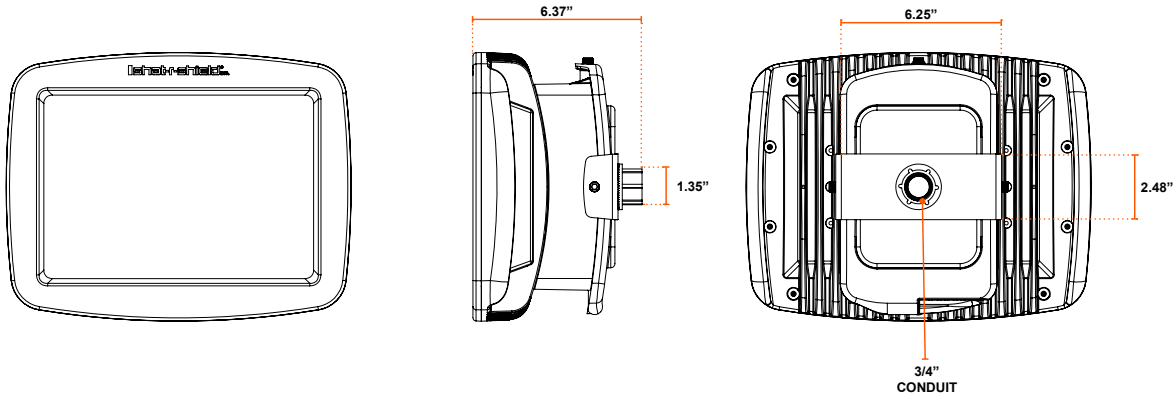


Dimensions Continued

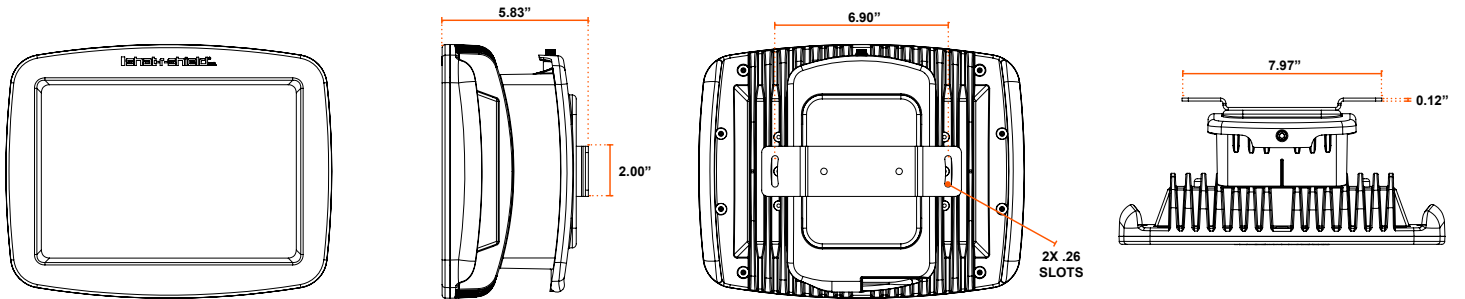
Stanchion Mount - H4



Surface Mount Connector Hub - H6



Pendant Mount - H7



Photometric Data

Photometric Data - FR Lens

Watt	Lens Material	CCT	Lumens	Description	IES File
30W	FR	5000K	3906	30W HAZLO - 5000K CCT - FR LENS	HZ-30W-5000K-FR
30W	FR	4000K	3830	30W HAZLO - 4000K CCT - FR LENS	HZ-30W-4000K-FR
35W	FR	5000K	4265	35W HAZLO - 5000K CCT - FR LENS	HZ-35W-5000K-FR
35W	FR	4000K	4166	35W HAZLO - 4000K CCT - FR LENS	HZ-35W-4000K-FR
48W	FR	5000K	5506	48W HAZLO - 5000K CCT - FR LENS	HZ-48W-5000K-FR
48W	FR	4000K	5349	48W HAZLO - 4000K CCT - FR LENS	HZ-48W-4000K-FR
60W	FR	5000K	7493	60W HAZLO - 5000K CCT - FR LENS	HZ-60W-5000K-FR
60W	FR	4000K	7527	60W HAZLO - 4000K CCT - FR LENS	HZ-60W-4000K-FR
70W	FR	5000K	8128	70W HAZLO - 5000K CCT - FR LENS	HZ-70W-5000K-FR
70W	FR	4000K	8191	70W HAZLO - 4000K CCT - FR LENS	HZ-70W-4000K-FR
95W	FR	5000K	10496	95W HAZLO - 5000K CCT - FR LENS	HZ-95W-5000K-FR
95W	FR	4000K	10482	95W HAZLO - 4000K CCT - FR LENS	HZ-95W-4000K-FR

Photometric Data - CL Lens

Watt	Lens Material	CCT	Lumens	Description	IES File
30W	CL	5000K	5146	30W HAZLO - 5000K CCT - CL LENS	HZ-30W-5000K-CL
30W	CL	4000K	5005	30W HAZLO - 4000K CCT - CL LENS	HZ-30W-4000K-CL
35W	CL	5000K	5611	35W HAZLO - 5000K CCT - CL LENS	HZ-35W-5000K-CL
35W	CL	4000K	5499	35W HAZLO - 4000K CCT - CL LENS	HZ-35W-4000K-CL
48W	CL	5000K	7253	48W HAZLO - 5000K CCT - CL LENS	HZ-48W-5000K-CL
48W	CL	4000K	7020	48W HAZLO - 4000K CCT - CL LENS	HZ-48W-4000K-CL
60W	CL	5000K	10092	60W HAZLO - 5000K CCT - CL LENS	HZ-60W-5000K-CL
60W	CL	4000K	10095	60W HAZLO - 4000K CCT - CL LENS	HZ-60W-4000K-CL
70W	CL	5000K	10905	70W HAZLO - 5000K CCT - CL LENS	HZ-70W-5000K-CL
70W	CL	4000K	11005	70W HAZLO - 4000K CCT - CL LENS	HZ-70W-4000K-CL
95W	CL	5000K	14047	95W HAZLO - 5000K CCT - CL LENS	HZ-95W-5000K-CL
95W	CL	4000K	14101	95W HAZLO - 4000K CCT - CL LENS	HZ-95W-4000K-CL

Photometric Data - LG Lens

Watt	Lens Material	CCT	Lumens	Description	IES File
30W	LG	5000K	5322	30W HAZLO - 5000K CCT - LG LENS	HZ-30W-5000K-LG
30W	LG	4000K	5211	30W HAZLO - 4000K CCT - LG LENS	HZ-30W-4000K-LG
35W	LG	5000K	5816	35W HAZLO - 5000K CCT - LG LENS	HZ-35W-5000K-LG
35W	LG	4000K	5666	35W HAZLO - 4000K CCT - LG LENS	HZ-35W-4000K-LG
48W	LG	5000K	7471	48W HAZLO - 5000K CCT - LG LENS	HZ-48W-5000K-LG
48W	LG	4000K	7317	48W HAZLO - 4000K CCT - LG LENS	HZ-48W-4000K-LG
60W	LG	5000K	10438	60W HAZLO - 5000K CCT - LG LENS	HZ-60W-5000K-LG
60W	LG	4000K	10446	60W HAZLO - 4000K CCT - LG LENS	HZ-60W-4000K-LG
70W	LG	5000K	11318	70W HAZLO - 5000K CCT - LG LENS	HZ-70W-5000K-LG
70W	LG	4000K	11415	70W HAZLO - 4000K CCT - LG LENS	HZ-70W-4000K-LG
95W	LG	5000K	14576	95W HAZLO - 5000K CCT - LG LENS	HZ-95W-5000K-LG
95W	LG	4000K	14590	95W HAZLO - 4000K CCT - LG LENS	HZ-95W-4000K-LG

Operating Characteristics Continued

Shipping Dimensions

Product	Length	Width	Height	Weight
Hazlo	16"	16"	10"	12 lbs
Hazlo W/ H7 Pendant Mount	16"	16"	10"	13 lbs
Hazlo W/ H0 Rotating Bracket	16"	16"	10"	14 lbs
Hazlo W/ H6 Surface Mount Connector Hub	16"	16"	10"	13 lbs
Hazlo W/ H4 Stanchion Mount	16"	16"	10"	16 lbs
Hazlo W/ V2 Stanchion Mount	16"	16"	10"	16 lbs