



SA SERIES

The SA Series correctional grade LED flat panel is designed for maximum security and behavioral-health facilities including correctional institutions, detention centers, psychiatric wards, and any high-abuse environment requiring ligature-resistant, tamper-proof lighting. Offered in 1' x 1', 1' x 2', 1' x 4', 2' x 2', and 2' x 4' sizes with static color temperatures between 2700K-5000K CCT and lumen packages from 1,000 to 25,000 lumens, the SA delivers durable, high-performance illumination.



Ordering Chart Information

Example: SA-11-6-N-P1-VS-27K-C-12-I-F-BB

Model	Size		Wattage		Inner Lens		Outer Lens		Voltage			
SA	11 ¹	1' x 1'	6	6 Watt	N	No Lens		P1	.125 Clear Polycarbonate		VS	120/277VAC
	12 ¹	1' x 2'	12	12 Watt	PA1	.125 Prismatic Acrylic		P2	.156 Clear Polycarbonate		HVS	347-480VAC
	14 ²	1' x 4'	25	25 Watt	PA2	156 Prismatic Acrylic		P3	.187 Clear Polycarbonate			
	22 ³	2' x 2'	43	43 Watt	PP1	.125 Prismatic Polycarbonate		P4	.250 Clear Polycarbonate			
	24	2' x 4'	68	68 Watt	PP2	.125 Prismatic Polycarbonate		P5	.375 Clear Polycarbonate			
			75	75 Watt	PP2	.187 Prismatic Polycarbonate		TG1	.187 Clear Tempered Glass			
			81	81 Watt	CP1	.125 Clear Polycarbonate		TG2	.250 Clear Tempered Glass			
			93	93 Watt	CP2	.156 Clear Polycarbonate		TG3	.375 Clear Tempered Glass			
			100	100 Watt	CP3	.187 Clear Polycarbonate		TG4	.500 Clear Tempered Glass			
			125	125 Watt	SY	Symmetric Diffused DR Acrylic						
		156	156 Watt									
CCT		Housing/Door Material		Gauge Size		Door Type		Mounting		Finish		
27K	2700K	C	Cold Rolled Steel	12	12 Gauge	I ⁵	Inset Door	F	Flange	AM	Antimicrobial White	
3K	3000K	S ⁴	Stainless Steel	14	14 Gauge	O ⁶	Overlap Door	G	Grid	WH	White	
35K	3500K			16	16 Gauge			FT	Flange/Threaded			
4K	4000K			18	18 Gauge							
5K	5000K			20	20 Gauge							
Driver						Options (Factory Installed)						
BLANK 0-10V 1% Dimming Driver						90	90 CRI					
						AH	Allenhead Screws w/ Center Pin					
						BB	14 Watt Battery Backup					
						LNXX ⁶	LED Night Light					
						SC	Integral Microwave Sensor					
						WL	Wet Location (IP65)					

Notes:

1. Only available in 6 and 12 Watt
2. Only available in 6, 12, 25, 43, and 68 Watt
3. Only available in 6, 12, 25, 43, 68, 75, 81 Watt
4. Only available in 14, 16, and 18 Gauge
5. Anti-Ligature only available with Inset Door
6. XX Specify CCT

Specs at a Glance					
Model	SA-11	SA-12	SA-14	SA-22	SA-24
Wattage (W)*	6.25W - 12.5W	6.25W - 12.5W	6.25W - 68.8W	6.25W - 81.3W	6.25W- 156.3W
Lumens (lm)	1,000 - 2,000	1,000 - 2,000	1,000 - 11,000	1,000 - 13,000	1,000 - 25,000
Efficacy (LPW)	Up to 165				
CCT (K)	2700K, 3000K, 3500K, 4000K, 5000K				
CRI	≥82, Optional 90				
Input Voltage	120/277VAC, 50/60Hz				
Operating Temp	-30°C to 50°C (-22°F to 122°F)				
Certifications	cETL Listed for Damp Locations, Optional Wet Location (IP65)				
Warranty	5 Years				

* Nominal Wattage, tested at 4000K CCT. See performance table for details.

Note: Environment and application will affect actual performance. Typical values and 25°C (77°F) used for testing. Specifications subject to change without notice.

Specifications

Construction:

- Cold rolled steel or stainless steel enclosure
- Die-formed, TIG and spot welded
- Durable TGIC polyester powder coating featuring a 5-stage pre-treatment for superior adhesion and corrosion protection
- Available in white or antimicrobial white paint that inhibits growth of bacteria on the fixture surface
- Tested to 1,000 hours salt spray with 92% reflectance
- Ligature-resistant design
- Tamper resistant T25 Torx hardware
- Recessed design fits most standard T-bar grid ceilings

Optics/LEDS:

- Optional inner clear or diffused lens for uniform LED diffusion
- Outer polycarbonate or glass lens
- Lens secured using through studs and vertically adjustable cold rolled steel internal hold-downs
- Lumen packages from 1,000 to 25,000 lumens
- 2700K, 3000K, 3500K, 4000K or 5000K CCT
- CRI ≥ 82, optional 90 CRI (Option: 90)
- Efficacy up to 165 lumens per watt
- L70 > 100,000 hours

Electrical:

- Universal 120/277VAC, 50/60Hz
- 0-10V Dimming driver
- Power factor ≥ 0.90
- 347-480VAC option (Option: HVS)

Options:

- Integral Battery Backup provides 14-watt emergency for continued illumination during power loss (Option: BB)
- Tamper-resistant allen head screws with center pin for enhanced security over standard Torx with center pin. (Option: AH)
- LED Night Light offers low-level lighting without full illumination (Option: LN)
- IP65-rated sealed construction suitable for wet locations and high-pressure wash-down. (Option: WL)

Installation:

- Universal mounting allows for both recessed flanged and recessed grid mounting
- Easy installation with adjustable 90° swing arm system standard

Testing & Compliance:

- cETL Listed for Damp Locations
- Optional Wet Location (IP65) (Option: WL)
- Buy American Act compliant
- Build America, Buy America Act compliant
- Operating temperatures: -30°C to 50°C (-22°F to 122°F)

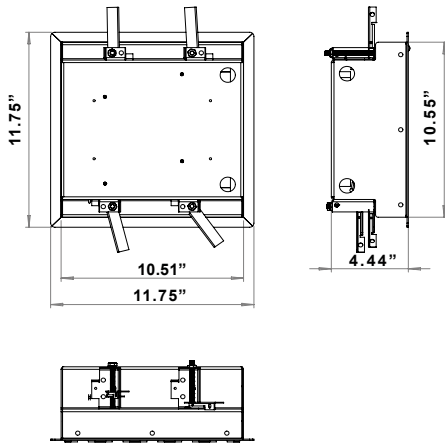
Warranty:

- Five Year Warranty (Terms and Conditions Apply)

Dimensions

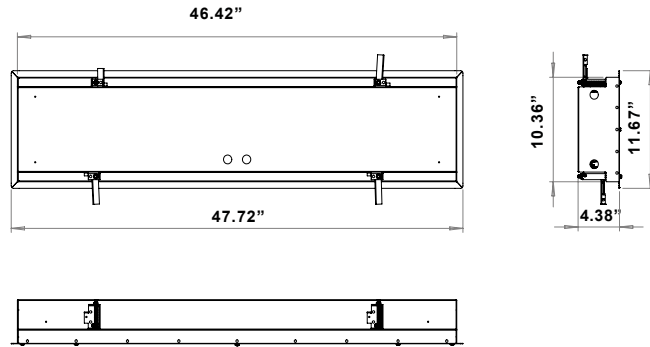
1X1

ROUGH IN SIZE 10 13/16" X 10 3/4"



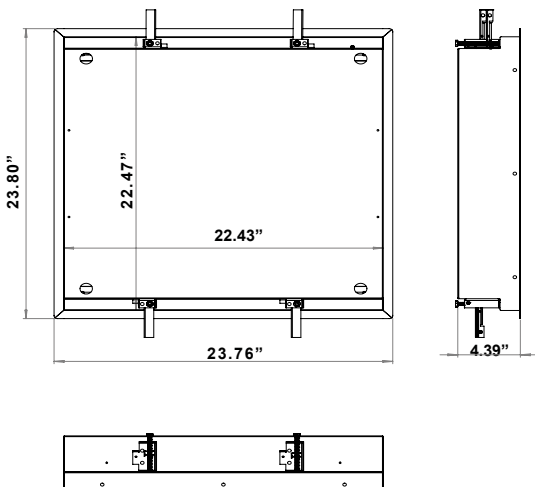
1X4

ROUGH IN SIZE 46 11/16" X 10 5/8"



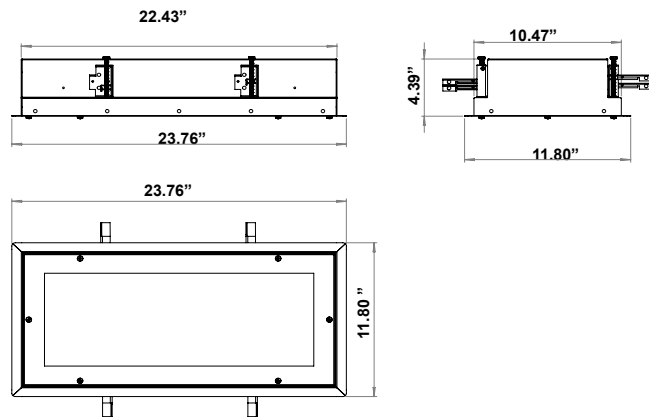
2X2

ROUGH IN SIZE 22 5/8" X 22 5/8"



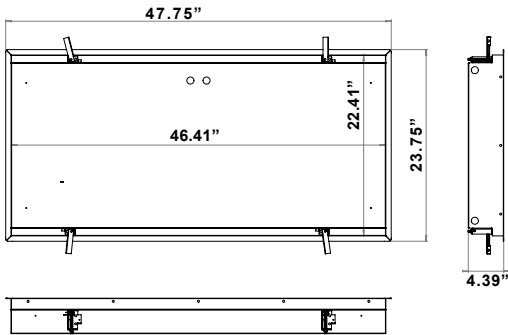
1X2

ROUGH IN SIZE 22 11/16" X 10 5/8"



Dimensions Continued

2X4 ROUGH INSIZE 46 5/8" X 22 11/16"



Operational Data

Model	Wattage	CCT	Lumens	LPW	CRI
SA-XX-6	6.25W	2700K	910	146	≥82
SA-XX-6	6.25W	3000K	940	150	≥82
SA-XX-6	6.25W	3500K	970	155	≥82
SA-XX-6	6.25W	4000K	1000	160	≥82
SA-XX-6	6.25W	5000K	1030	165	≥82
SA-XX-12	12.5W	2700K	1820	146	≥82
SA-XX-12	12.5W	3000K	1880	150	≥82
SA-XX-12	12.5W	3500K	1940	155	≥82
SA-XX-12	12.5W	4000K	2000	160	≥82
SA-XX-12	12.5W	5000K	2060	165	≥82
SA-XX-25	25W	2700K	3640	146	≥82
SA-XX-25	25W	3000K	3760	150	≥82
SA-XX-25	25W	3500K	3880	155	≥82
SA-XX-25	25W	4000K	4000	160	≥82
SA-XX-25	25W	5000K	5000	165	≥82
SA-XX-43	43.8W	2700K	6370	145	≥82
SA-XX-43	43.8W	3000K	6580	150	≥82
SA-XX-43	43.8W	3500K	6790	155	≥82
SA-XX-43	43.8W	4000K	7000	160	≥82
SA-XX-43	43.8W	5000K	7210	165	≥82
SA-XX-68	68.8W	2700K	10010	145	≥82
SA-XX-68	68.8W	3000K	10340	150	≥82
SA-XX-68	68.8W	3500K	10670	155	≥82
SA-XX-68	68.8W	4000K	11000	160	≥82
SA-XX-68	68.8W	5000K	11330	165	≥82
SA-XX-75	75W	2700K	10920	146	≥82
SA-XX-75	75W	3000K	11280	150	≥82
SA-XX-75	75W	3500K	11640	155	≥82
SA-XX-75	75W	4000K	12000	160	≥82

Operational Data

Model	Wattage	CCT	Lumens	LPW	CRI
SA-XX-75	75W	5000K	12360	165	≥82
SA-XX-81	81.3W	2700K	11830	146	≥82
SA-XX-81	81.3W	3000K	12220	150	≥82
SA-XX-81	81.3W	3500K	12610	155	≥82
SA-XX-81	81.3W	4000K	13000	160	≥82
SA-XX-81	81.3W	5000K	13390	165	≥82
SA-XX-93	93.8W	2700K	13650	146	≥82
SA-XX-93	93.8W	3000K	14100	150	≥82
SA-XX-93	93.8W	3500K	14550	155	≥82
SA-XX-93	93.8W	4000K	15000	160	≥82
SA-XX-93	93.8W	5000K	15450	165	≥82
SA-XX-100	100W	2700K	14560	146	≥82
SA-XX-100	100W	3000K	15040	150	≥82
SA-XX-100	100W	3500K	15520	155	≥82
SA-XX-100	100W	4000K	16000	160	≥82
SA-XX-100	100W	5000K	16480	165	≥82
SA-XX-125	125W	2700K	18200	146	≥82
SA-XX-125	125W	3000K	18800	150	≥82
SA-XX-125	125W	3500K	19400	155	≥82
SA-XX-125	125W	4000K	20000	160	≥82
SA-XX-125	125W	5000K	20600	165	≥82
SA-XX-156	156.3W	2700K	22750	146	≥82
SA-XX-156	156.3W	3000K	23500	150	≥82
SA-XX-156	156.3W	3500K	24250	155	≥82
SA-XX-156	156.3W	4000K	25000	160	≥82
SA-XX-156	156.3W	5000K	25750	165	≥82