



INCOPLAS® LED HYBRID™

The Incoplas® LED Hybrid™ fixture is a multi-purpose LED lighting solution that can be used as an area light, flood or wall pack. Made entirely of graphite infused thermally conductive engineered polymers and high-impact polycarbonate, this fixture is specifically designed to withstand moisture, dust, chemicals, salt spray and harsh environments in applications where exposure is detrimental to the life of the fixture. The LED Hybrid™ fixture replaces 100W & 250W metal halide lamps as well as T5 & T8 fixtures.



Manufactured in America with globally and domestically sourced components

Ordering Chart Information

Example: 045-HY-40-ST-FR-VL-N-0S-00-PD-02-01

Wattage	Fixture	CCT	Mount	Optics	Voltage	Controls	Whip/Safety Cable
STANDARD OPTIONS: 45W -30°C to 50°C Ambient Temperatures, 90W -30°C to 45°C Ambient Temperatures							
045	35W*	40	4000K	ST	Area	FR	Frosted ¹
090	70W*	50	5000K	FL	Flood	CL	Clear ²
HY Hybrid				WN	NSF Wall Pack	LG	Laminated Glass ³
				WP	Non-NSF Wall Pack	22	Clear ⁶
EXTREME AMBIENT OPTION: -40°C to 65°C Ambient Temperature. Note: Only the 030 and 060 are 65C rated							
030	30W	40	4000K	ST	Area	FR	Frosted ⁷
060	60W	50	5000K	FL	Flood	CL	Clear ⁸
HY Hybrid				WN	NSF Wall Pack	LG	Laminated Glass ⁹
				WP	Non-NSF Wall Pack		
HIGH LUMEN OPTIONS: -40°C to 50°C Ambient Temperature							
030	30W	40	4000K	ST	Area	FR	Frosted ¹⁰
048	48W	50	5000K	FL	Flood	CL	Clear ¹¹
HY Hybrid				WN	NSF Wall Pack	LG	Laminated Glass ¹²
				WP	Non-NSF Wall Pack		
Notes: *: 045 and 090 gen 1 boards are now powered by 35 watt and 70 watt boards and drivers 1. NEMA 7x7 Beam: 116° 45W: 5100 Lm 90W: 10,150 Lm 2. NEMA 7x7 Beam: 113° 45W: 5550 Lm 90W: 10,700 Lm 3. NEMA 7x7 Beam: 113° 45W: 5700 Lm 90W: 11,000 Lm 4. NEMA 4x4 Beam: 28° 45W: 5700 Lm 90W: 11,100 Lm 5. NEMA 3x3 Beam: 17° 45W: 5700 Lm 90W: 11,100 Lm 6. NEMA 3x3 Beam: 15° 45W: 5700 Lm 90W: 11,100 Lm					7. NEMA 7x7 Beam: 116° 30W: 4380 Lm 60W: 8403 Lm 8. NEMA 7x7 Beam: 113° 30W: 4738 Lm 60W: 9,476 Lm 9. NEMA 7x7 Beam: 113° 30W: 4872 Lm 60W: 9,745 Lm 10. NEMA 7x7 Beam: 116° 48W: 6705 Lm 95W: 12,516 Lm 11. NEMA 7x7 Beam: 113° 48W: 7152 Lm 95W: 13,946 Lm 12. NEMA 7x7 Beam: 113° 48W: 7330 Lm 95W: 14,300 Lm		

SEE PAGE 2 FOR CONTINUED CHART

Ordering Chart Continued

Accessory 1		Accessory 2		Build		Rev
00	None	00	None	00	Surface	01
01	5-20P	SF	Slip Fitter	01	SS Bracket (<i>Not installed</i>)	02 ¹⁴
02	5-15P	TM	Trunnion	02	SS Bracket, Rear	
03	L6-20P	PD	Pendant	04	SS Bracket, Lid	
04	L6-15P	SP	Stanchion	05	Black Bracket (<i>Not installed</i>)	
05	L8-20P			06	Bracket (<i>Not installed</i>)	
WC	Wall Pack Cover			08	Black Bracket Rear	
				10	Whip Rear	
				11	Whip Lid	
				28	3/4" SS Adapter, Rear	

Notes:
 13. Only available on Standard Options
 14. Can only be selectable/is compatible only with 45W and 90W.

For accessories not shown or custom plates, please contact customer service at (800) 223-0853.

Specifications

Dimming: 0-10 VAC (*Standard units only*)

Lens: Clear, Frosted Polycarbonate, or Laminated Glass

Voltage: 120 - 277 VAC

Main Light CRI: 80

Night Light CRI: N/A

Applications: Marine Facilities, Industrial Facilities, Airports, Food Processing Plants, Cold Storage/Refrigeration, Wash Down Areas, Construction Sites, Tunnels, Livestock Farming, Wastewater Treatment Plants, Natatoriums, and many other harsh environments

Weight: 7.5 lbs

Efficiency: 124 LPW (*Standard*), 176 LPW (*High Lumen*)

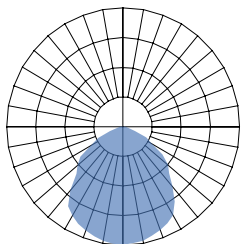
Operating Temp: -30°C to 50°C or -40°C to 65°C depending on fixture

Dimensions: 13" (L) x 10.25 (W) x 5.35" (H)

Housing Construction: The fixture housing is composed of engineered plastics made from a variety of outdoor rated polycarbonate resins. The unique feature of the housing is that it is made of a specially compounded thermally conductive polycarbonate resin. This allows for excellent heat transfer and heat management of the LED junction temperature and replaces the typical aluminum housing which has coatings that are highly receptive to corrosion and degradation

Warranty: 5-year limited warranty. Complete warranty terms located [here](#)

Photometric Data

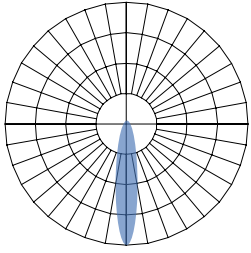


Indoor Report

- Maximum Candela = 5880.1
- Luminaire Lumens = 14576

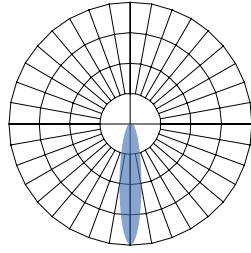
Beam Angles

Standard fixtures have all options. High Lumen and/or High Ambient only use 113° & 116° options.



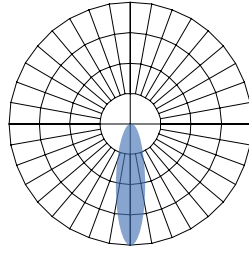
15°

Nema 3x3, Clear



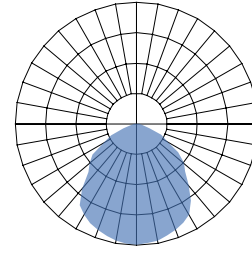
17°

Nema 3x3, Clear



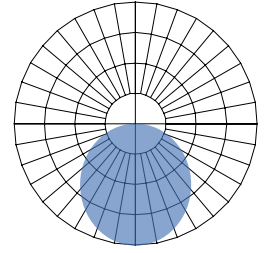
28°

Nema 4x4, Clear



113°

Nema 7x7, Clear



116°

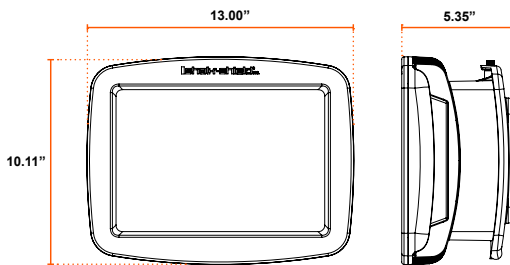
Nema 7x7, Frosted

Mounting Options

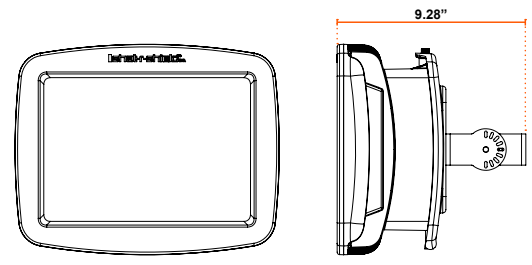


Dimensions

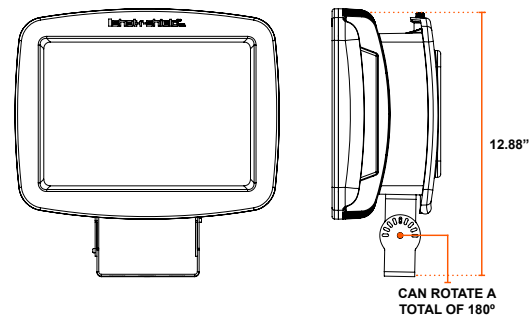
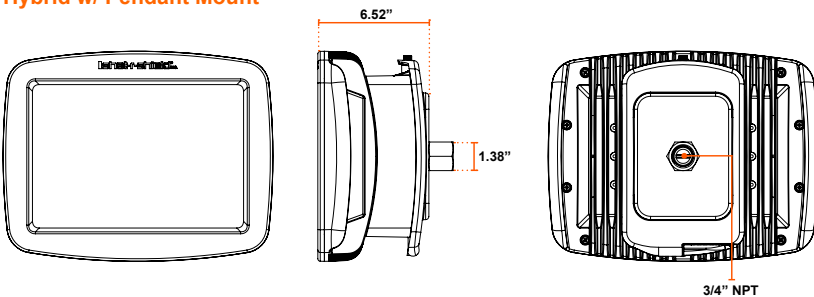
Hybrid



Hybrid w/ Flood Mount Bracket

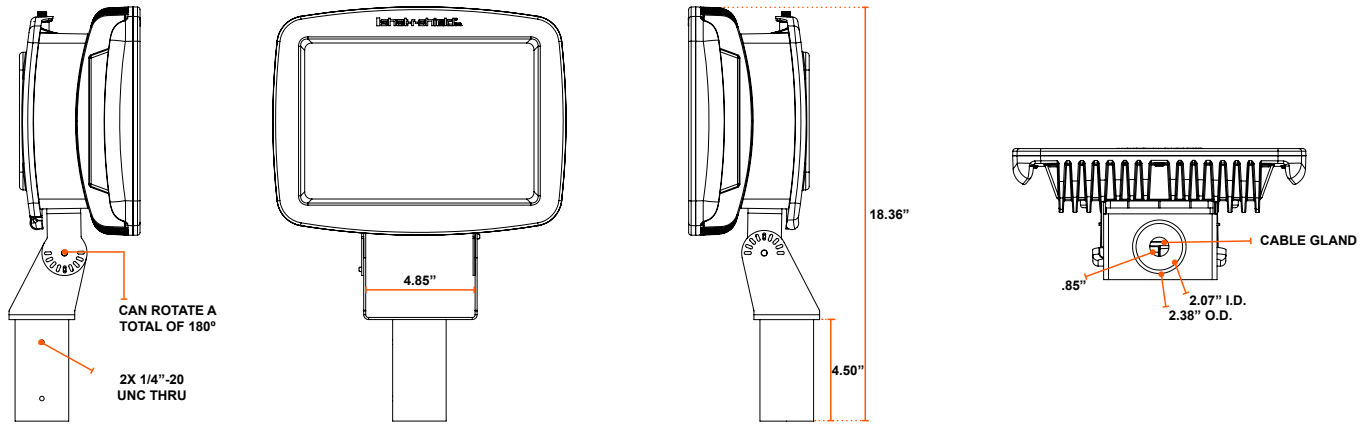


Hybrid w/ Pendant Mount

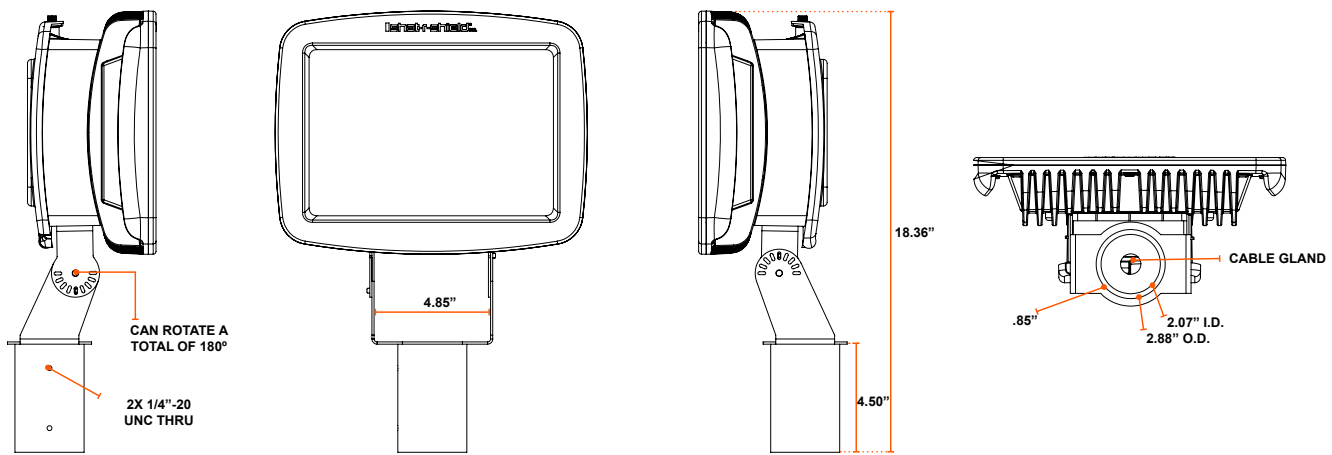


Dimensions Continued

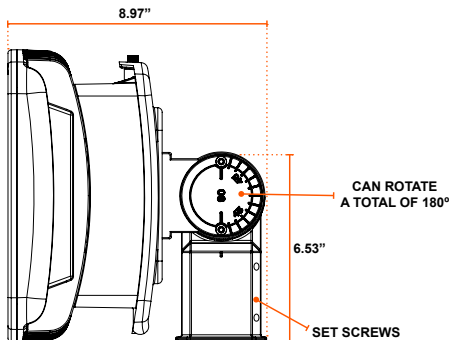
Hybrid w/ Stanchion Bracket SP29 T Mount



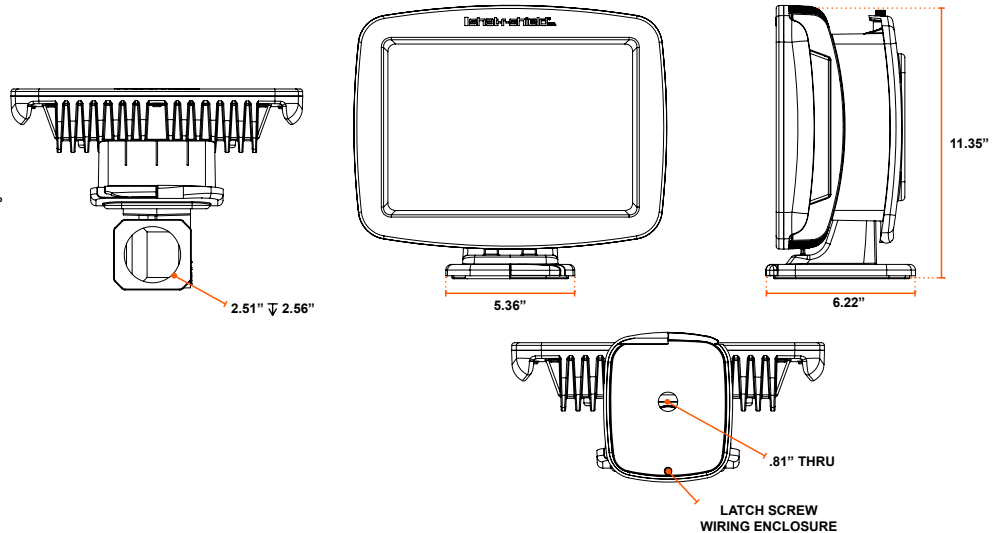
Hybrid w/ Stanchion Bracket SP27



Hybrid w/ Slip Fitter Bracket



Hybrid w/ Wall Pack Mount



Photometric Data

Photometric Data - FR Lens

Watt.	Lens Material	CCT	Lumens	Description	IES File
30W	FR	5000K	3906	30W HYBRID - 5000K CCT - FR LENS	HY-30W-5000K-FR
30W	FR	4000K	3830	30W HYBRID - 4000K CCT - FR LENS	HY-30W-4000K-FR
35W	FR	5000K	4265	45W HYBRID - 5000K CCT - FR LENS	HY-45W-5000K-FR
35W	FR	4000K	4166	45W HYBRID - 4000K CCT - FR LENS	HY-45W-4000K-FR
48W	FR	5000K	5506	48W HYBRID - 5000K CCT - FR LENS	HY-48W-5000K-FR
48W	FR	4000K	5349	48W HYBRID - 4000K CCT - FR LENS	HY-48W-4000K-FR
60W	FR	5000K	7493	60W HYBRID - 5000K CCT - FR LENS	HY-60W-5000K-FR
60W	FR	4000K	7527	60W HYBRID - 4000K CCT - FR LENS	HY-60W-4000K-FR
70W	FR	5000K	8128	90W HYBRID - 5000K CCT - FR LENS	HY-90W-5000K-FR
70W	FR	4000K	8191	90W HYBRID - 4000K CCT - FR LENS	HY-90W-4000K-FR
95W	FR	5000K	10496	95W HYBRID - 5000K CCT - FR LENS	HY-95W-5000K-FR
95W	FR	4000K	10482	95W HYBRID - 4000K CCT - FR LENS	HY-95W-4000K-FR

Photometric Data - CL Lens

Watt.	Lens Material	CCT	Lumens	Description	IES File
30W	CL	5000K	5146	30W HYBRID - 5000K CCT - CL LENS	HY-30W-5000K-CL
30W	CL	4000K	5005	30W HYBRID - 4000K CCT - CL LENS	HY-30W-4000K-CL
35W	CL	5000K	5611	45W HYBRID - 5000K CCT - CL LENS	HY-45W-5000K-CL
35W	CL	4000K	5499	45W HYBRID - 4000K CCT - CL LENS	HY-45W-4000K-CL
48W	CL	5000K	7253	48W HYBRID - 5000K CCT - CL LENS	HY-48W-5000K-CL
48W	CL	4000K	7020	48W HYBRID - 4000K CCT - CL LENS	HY-48W-4000K-CL
60W	CL	5000K	10092	60W HYBRID - 5000K CCT - CL LENS	HY-60W-5000K-CL
60W	CL	4000K	10095	60W HYBRID - 4000K CCT - CL LENS	HY-60W-4000K-CL
70W	CL	5000K	10905	90W HYBRID - 5000K CCT - CL LENS	HY-90W-5000K-CL
70W	CL	4000K	11005	90W HYBRID - 4000K CCT - CL LENS	HY-90W-4000K-CL
95W	CL	5000K	14047	95W HYBRID - 5000K CCT - CL LENS	HY-95W-5000K-CL
95W	CL	4000K	14101	95W HYBRID - 4000K CCT - CL LENS	HY-95W-4000K-CL

Photometric Data - LG Lens

Watt.	Lens Material	CCT	Lumens	Description	IES File
30W	LG	5000K	5322	30W HYBRID - 5000K CCT - LG LENS	HY-30W-5000K-LG
30W	LG	4000K	5211	30W HYBRID - 4000K CCT - LG LENS	HY-30W-4000K-LG
35W	LG	5000K	5816	45W HYBRID - 5000K CCT - LG LENS	HY-45W-5000K-LG
35W	LG	4000K	5666	45W HYBRID - 4000K CCT - LG LENS	HY-45W-4000K-LG
48W	LG	5000K	7471	48W HYBRID - 5000K CCT - LG LENS	HY-48W-5000K-LG
48W	LG	4000K	7317	48W HYBRID - 4000K CCT - LG LENS	HY-48W-4000K-LG
60W	LG	5000K	10438	60W HYBRID - 5000K CCT - LG LENS	HY-60W-5000K-LG
60W	LG	4000K	10446	60W HYBRID - 4000K CCT - LG LENS	HY-60W-4000K-LG
70W	LG	5000K	11318	90W HYBRID - 5000K CCT - LG LENS	HY-90W-5000K-LG
70W	LG	4000K	11415	90W HYBRID - 4000K CCT - LG LENS	HY-90W-4000K-LG
95W	LG	5000K	14576	95W HYBRID - 5000K CCT - LG LENS	HY-95W-5000K-LG
95W	LG	4000K	14590	95W HYBRID - 4000K CCT - LG LENS	HY-95W-4000K-LG

Dimensions

Shipping Dimensions

Product	Length	Width	Height	Weight
Hybrid	16"	16"	10"	12 lbs
Hybrid w/ Pendant Mount	16"	16"	10"	13 lbs
Hybrid w/ Wall Pack	16"	16"	10"	13 lbs
Hybrid w/ Slipfitter Mount	16"	16"	10"	15 lbs
Hybrid w/ SP27 Mount	16"	16"	10"	16 lbs
Hybrid w/ SP29 Mount	16"	16"	10"	16 lbs
Hybrid w/ Trunnion Mount	16"	16"	10"	14 lbs
Items Shipped Separately	Length	Width	Height	Weight
Wall Pack Kit	7"	6"	6"	1 lbs
SlipFitter Kit	11"	8"	6"	3 lbs
Stanchion SP27	11"	8"	6"	4 lbs
Stanchion SP29	11"	8"	6"	4 lbs
Trunnion Mount Kit	7"	6"	6"	2 lbs