



SB SERIES

The SB Series correctional grade LED surface-mount luminaire is designed for maximum-security and behavioral-health facilities including correctional institutions, detention centers, psychiatric wards, and any high-abuse environment requiring ligature-resistant, tamper-proof lighting. Offered in 1' x 1', 1' x 2', 1' x 4', 2' x 2', and 2' x 4' sizes with static color temperatures between 2700K-5000K CCT and lumen packages from 2,000 to 30,000 lumens, the SB delivers durable, high performance illumination in a low-profile surface-mount design.



Ordering Chart Information

Example: SB-11-12-N-VS-27K-A-18-I-P1-WH-BB

Model	Size		Wattage		Inner Lens		Voltage		CCT		Housing/Door Material	
SB	11 ¹	1' x 1'	12	12 Watt	N	No Lens	VS	120/277VAC	27K	2700K	A ⁴	Aluminum
	12 ¹	1' x 2'	25	25 Watt	FA	Frosted Acrylic	HVS	347-480VAC	3K	3000K	C ⁵	Cold Rolled Steel
	14 ²	1' x 4'	43	43 Watt	PA1	.125 Prismatic Acrylic			35K	3500K	S ⁶	Stainless Steel
	22 ³	2' x 2'	68	68 Watt	PA2	.156 Prismatic Acrylic			4K	4000K		
	24	2' x 4'	75	75 Watt	PP1	.125 Prismatic Polycarbonate			5K	5000K		
			81	81 Watt	PP2	.187 Prismatic Polycarbonate						
			93	93 Watt	SY	Symmetric Diffused DR Acrylic						
			100	100 Watt								
			125	125 Watt								
			156	156 Watt								
		187	187 Watt									
Gauge Size		Door Type		Outer Lens			Finish		Driver		Options ⁸	
12	12 Gauge	I ⁷	1' x 1'	P1	.125 Clear Polycarbonate		AM	Antimicrobial White		BLANK 0-10V 1% Dimming Driver	90	90 CRI
14	14 Gauge	O ⁷	1' x 2'	P2	.156 Clear Polycarbonate		B	Brushed			AH	Allenhead Screws w/ Center Pin (Stainless)
16	16 Gauge			P3	.187 Clear Polycarbonate		WH	White			AHW	Allenhead Screws w/ Center Pin (White)
18	18 Gauge			P4	.250 Clear Polycarbonate						BB	14 Watt Battery Backup
20	20 Gauge			P5	.375 Clear Polycarbonate						LNXX ⁹	LED Night Light
				P6	.500 Clear Polycarbonate						SC	Integral Microwave Light
				TG1	.187 Clear Tempered Glass						WL	Wet Location (IP65)
				TG2	.250 Clear Tempered Glass							
				TG3	.375 Clear Tempered Glass							
				TG4	.500 Clear Tempered Glass							

Notes:

1. Only available in 12 and 25 Watt
2. Only available in 12, 25, 43 and 68 Watt
3. Only available in 12, 25, 43, 68, 75, and 81 Watt
4. Only available in 18 Gauge with White Finish
5. Only available in White Finish
6. Only available in 14, 16, and 18 Gauge
7. Ligature-resistant only available with Inset Door
8. Field Installed
9. XX Specify CCT

* Nominal Wattage, tested at 4000K CCT. See performance table for details

Note: Environment and application will affect actual performance. Typical values and 25°C (77°F) used for testing. Specifications subject to change without notice.

Specs At A Glance					
Model	SB-11	SB-12	SB-14	SB-22	SB-24
Wattage (W)*	12.5W - 18.8W	12.5W - 18.8W	12.5W - 68.8W	12.5W - 81.3W	12.5W - 187.5W
Lumens (lm)	2,000 - 4,000	2,000 - 4,000	2,000 - 11,000	2,000 - 13,000	2,000 - 30,000
Efficacy (LPW)	Up to 165				
CCT (K)	2700K, 3000K, 3500K, 4000K, 5000K				
CRI	≥82, Optional 90				
Input Voltage	120/277VAC, 50/60Hz				
Operating Temp	-20°C to 60°C (-4°F to 140°F)				
Certifications	cETL Listed for Damp Locations, optional Wet Location, IK07				
Warranty	5 Years				

Specifications

Construction:

- Cold rolled steel or stainless steel enclosure
- Die-formed, TIG and spot welded
- Durable TGIC polyester powder coating featuring a 5-stage pre-treatment for superior adhesion and corrosion protection
- Available in brushed, white or antimicrobial white paint that inhibits growth of bacteria on the fixture surface
- Tested to 1,000 hours salt spray with 92% reflectance
- Ligature-resistant design
- Stainless steel tamper resistant T25 Torx hardware

Optics/LEDS:

- Optional Inner diffused lens for uniform LED diffusion
- Outer polycarbonate or glass lens
- Lens secured using through studs and vertically adjustable cold rolled steel internal hold-downs
- Lumen packages from 2,000 to 30,000 lumens
- 2700K, 3000K, 3500K, 4000K, 5000K CCT
- CRI ≥ 82, optional 90 CRI (Option: 90)
- Efficacy up to 165 lumens per watt
- L70 > 100,000 hours

Electrical:

- Universal 120/277VAC, 50/60Hz
- 0-10V Dimming driver
- Power factor ≥ 0.90
- 347-480VAC option (Option: HVS)

Options:

- Integral Battery Backup provides 14-watt emergency for continued illumination during power loss (Option: BB)
- Tamper-resistant allen head screws with center pin for enhanced security over standard Torx with center pin. Available in Stainless (Option: AH) or White (Option: AHW)
- LED Night Light offers low-level lighting without full illumination (Option: LN)
- IP65-rated sealed construction suitable for wet locations and high-pressure wash-down. (Option: WL)
- High color-rendering LEDs with ≥90 CRI for improved color accuracy (Option: 90)
- Fully integral microwave sensor for automatic occupancy control (Option:SC)

Testing & Compliance:

- cETL Listed for Damp Locations
- Optional Wet Location (Option: WL)
- IK07 Rated
- Buy American Act compliant
- Build America, Buy America Act compliant
- Operating temperatures: -20°C to 60°C (-4°F to 140°F)

Applications:

- Cells
- Dayrooms (Correctional)
- Cafeterias
- Restrooms
- Showers
- Corridors
- Sally Ports
- Recreational (Correctional-Indoor)
- Behavioral Health

Installation:

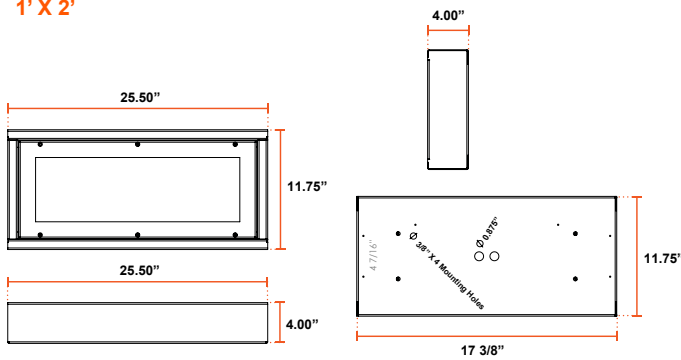
- For ceiling surface mount installation

Warranty:

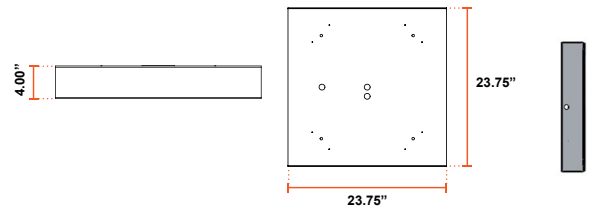
- Five Year Warranty (Terms and Conditions Apply)
 - Warranty is limited to the repair and/or replacement of this product.
- The warranty is covered by the Original Equipment Manufacturer.
Details are available upon request.

Dimensions

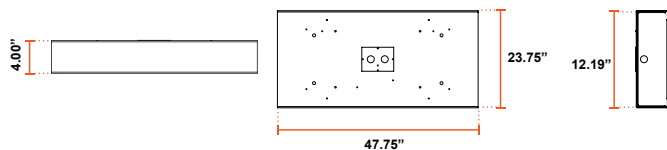
1' X 2'



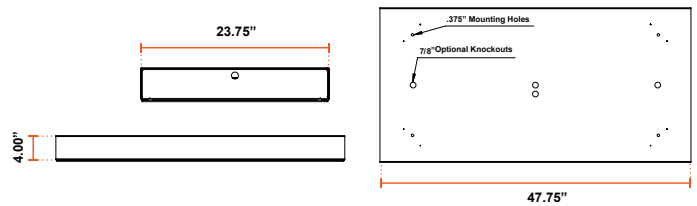
2' X 2'



1' X 4'



2' X 4'



Operational Data

Model	Wattage	CCT	Lumens	LPW	CRI
SB-XX-12	12.5W	2700K	1820	146	≥82
SB-XX-12	12.5W	3000K	1880	150	≥82
SB-XX-12	12.5W	3500K	1940	155	≥82
SB-XX-12	12.5W	4000K	2000	160	≥82
SB-XX-12	12.5W	5000K	2060	165	≥82
SB-XX-25	25W	2700K	3640	146	≥82
SB-XX-25	25W	3000K	3760	150	≥82
SB-XX-25	25W	3500K	3880	155	≥82
SB-XX-25	25W	4000K	4000	160	≥82
SB-XX-25	25W	5000K	4120	165	≥82
SB-XX-43	43.8W	2700K	6370	145	≥82
SB-XX-43	43.8W	3000K	6580	150	≥82
SB-XX-43	43.8W	3500K	6790	155	≥82
SB-XX-43	43.8W	4000K	7000	160	≥82
SB-XX-43	43.8W	5000K	7210	165	≥82
SB-XX-68	68.8W	2700K	10010	145	≥82
SB-XX-68	68.8W	3000K	10340	150	≥82
SB-XX-68	68.8W	3500K	10670	155	≥82
SB-XX-68	68.8W	4000K	11000	160	≥82
SB-XX-68	68.8W	5000K	11330	165	≥82
SB-XX-75	75W	2700K	10920	146	≥82
SB-XX-75	75W	3000K	11280	150	≥82
SB-XX-75	75W	3500K	11640	155	≥82
SB-XX-75	75W	4000K	12000	160	≥82
SB-XX-75	75W	5000K	12360	165	≥82
SB-XX-81	81.3W	2700K	11830	146	≥82
SB-XX-81	81.3W	3000K	12220	150	≥82
SB-XX-81	81.3W	3500K	12610	155	≥82
SB-XX-81	81.3W	4000K	13000	160	≥82
SB-XX-81	81.3W	5000K	13390	165	≥82
SB-XX-93	93.8W	2700K	13650	146	≥82
SB-XX-93	93.8W	3000K	14100	150	≥82
SB-XX-93	93.8W	3500K	14550	155	≥82
SB-XX-93	93.8W	4000K	15000	160	≥82
SB-XX-93	93.8W	5000K	15450	165	≥82
SB-XX-100	100W	2700K	14560	146	≥82
SB-XX-100	100W	3000K	15040	150	≥82
SB-XX-100	100W	3500K	15520	155	≥82
SB-XX-100	100W	4000K	16000	160	≥82
SB-XX-100	100W	5000K	16480	165	≥82
SB-XX-125	125W	2700K	18200	146	≥82

Operational Data

Model	Wattage	CCT	Lumens	LPW	DLC
SB-XX-125	125W	3000K	18800	150	≥82
SB-XX-125	125W	3500K	19400	155	≥82
SB-XX-125	125W	4000K	20000	160	≥82
SB-XX-125	125W	5000K	20600	165	≥82
SB-XX-156	156.2W	2700K	22750	146	≥82
SB-XX-156	156.2W	3000K	23500	150	≥82
SB-XX-156	156.2W	3500K	24250	155	≥82
SB-XX-156	156.2W	4000K	25000	160	≥82
SB-XX-156	156.2W	5000K	25750	165	≥82
SB-XX-187	187.5W	2700K	27300	146	≥82
SB-XX-187	187.5W	3000K	28200	150	≥82
SB-XX-187	187.5W	3500K	29100	155	≥82
SB-XX-187	187.5W	4000K	30000	150	≥82
SB-XX-187	187.5W	5000K	30900	165	≥82