



VR PRO™

Shat-R-Shield's Correctional Cell Fixture is designed to withstand extreme abuse by using materials that are virtually indestructible. Built with 1/2" thick 304 Stainless Steel and a cast .400" thick diffused lens, this light fixture is built to withstand hard/repetitive impacts and its tight design offers no point of entry. The Ironclad® Vandal-Resistant (VR Pro™) fixture uses an LED high efficiency light engine with a cool light that simulates daylight. The incorporated count/night light LED module can be turned on and off. Tested to Canadian and US standards by Underwriters' Laboratories, this fixture carries a cULus rating.



Manufactured in America with globally and domestically sourced components



Ordering Chart Information

Example: 042-VR-27-CL-Y-VH-SS-UR-00-SA-00-01

Wattage		Fixture	CCT		Mount Type		Count / Night Light		Voltage	Material		Lens	
035	35W	VR Vandal Resistant	27	2700K	CL	Ceiling	Y	Yes	VH 120- 277V	SS	304 Stainless	UR	Urethane
042	42W		30 ¹	3000K	WL	Wall	N	No		P1	SS Powder Coat Black	PC	Polycarbonate
			35	3500K	FT	Flat Top				P2	SS Powder Coat White		
			40	4000K	FW	Flat Wall				P5	SS Powder Coat Brown		
			50	5000K									
Accessory 1						Accessory 2				Accessory 3			Rev
00	None					00	None					00 None	01
JB	Surface Box Kit					SA	Spike Anchors						
CB	Corner Box Kit					TB	Tamperproof Bolts/Inserts						
C3	Corner Box Kit (Wide)					T2	2" Tamperproof Bolts						
P4	16"x16" Plate					CF	Cinder Block Fasteners						
PK	Double T Plate (Wake)					MS	Metal Ceiling Screws						
1W	1 Foot Whip												
2W	2 Foot Whip												
SW	Sample Whip												
S2	Sample Whip & Sample Hardware												
Notes: 1. Only available for 35 Watt 2. Only available in 12, 25, 43 and 68 Watt 3. Only available in 12, 25, 43, 68, 75, and 81 Watt 4. Only available in 18 Gauge with White Finish 5. Only available in White Finish 6. Only available in 14, 16, and 18 Gauge 7. Ligature-resistant only available with Inset Door 8. Field Installed 9. XX Specify CCT * Nominal Wattage, tested at 4000K CCT. See performance table for details Note: Environment and application will affect actual performance. Typical values and 25°C (77°F) used for testing. Specifications subject to change without notice.													

For accessories not shown or custom plates, please contact customer service at (800) 223-0853.

Specifications

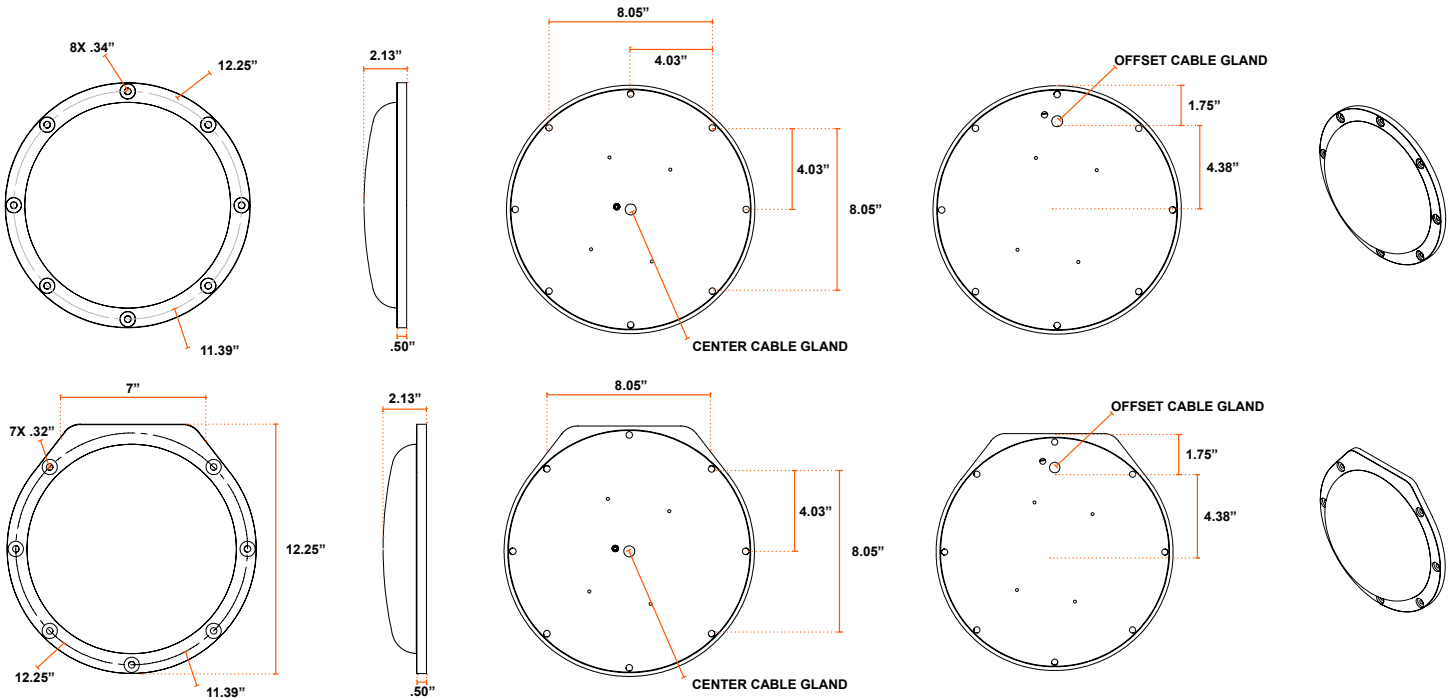
Watts: 35W or 42W
Voltage: 120 or 277V
Lumens: 2,800 or 3,600
Main Light CRI: 70
Night Light CRI: 70
Color Temperature: 5000K, 4000K, 3500K or 2700K; Count/Night-Light 2700K
LED Life: L70>75,000 Hours; Projected>100,000 Hours
Footcandles: 35 ftc at the desk level; 22 ftc at the floor
Operating Temp: -20°C to 45°C
Dimensions: 12.25" diameter x 2.13" tall
Weight: 7.9lbs
Warranty: 5 year limited warranty. Complete warranty terms located [here](#).

Construction

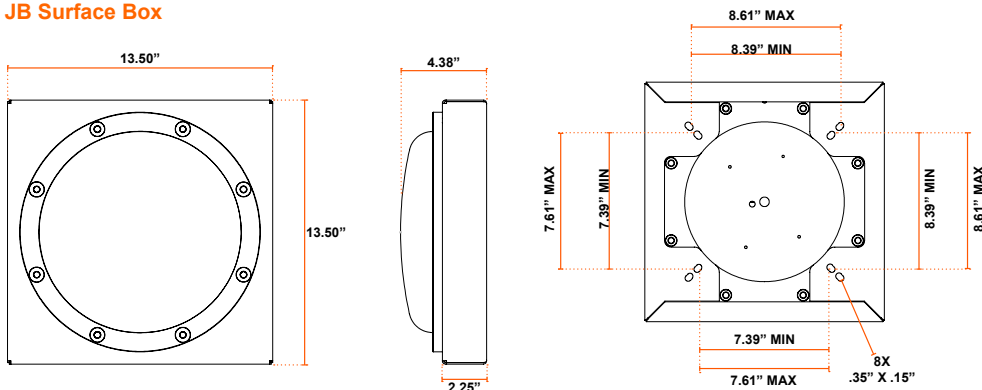
- **One piece Mounting Ring** - .500" thick 304 Stainless Steel
- **Lens** - .400" thick cast, diffused translucent, Highly Engineered Polyurethane. Shore hardness D80+, tensile strength 5,400 psi, impact strength 55 in. lbs./ in.
- **Mounting** - .125" aluminum heat sink to maintain thermal management
- **Installation** - Anchored flush onto ceiling with (8) recessed tamper-proof 1/4" concrete drive anchors or (8) 1/4" tamper -proof stainless steel bolts
- **Wiring** - Hard wired direct to AC current; eliminating failure points via driver
- **Features** - No accessible parts, no rusting or peeling paint, count / night light, extreme durability - hammer & knife tested

Dimensional Data

Standard & Flat Top (FT)

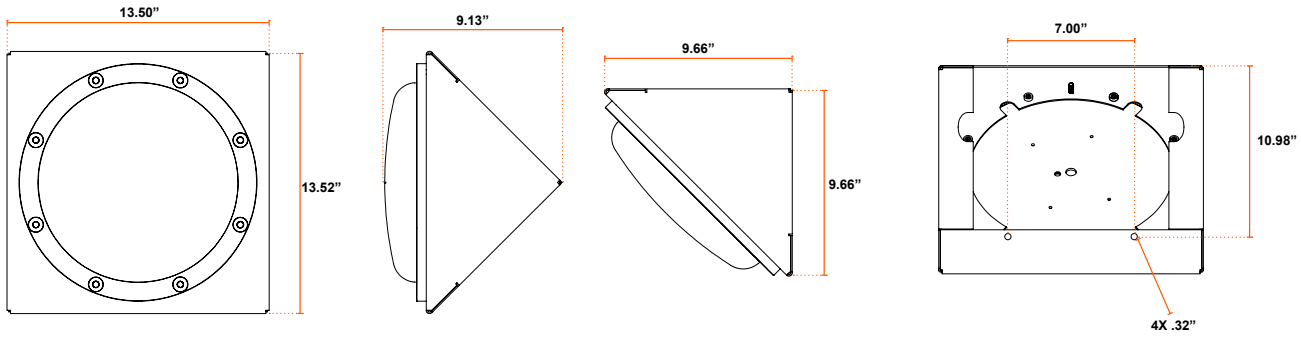


JB Surface Box

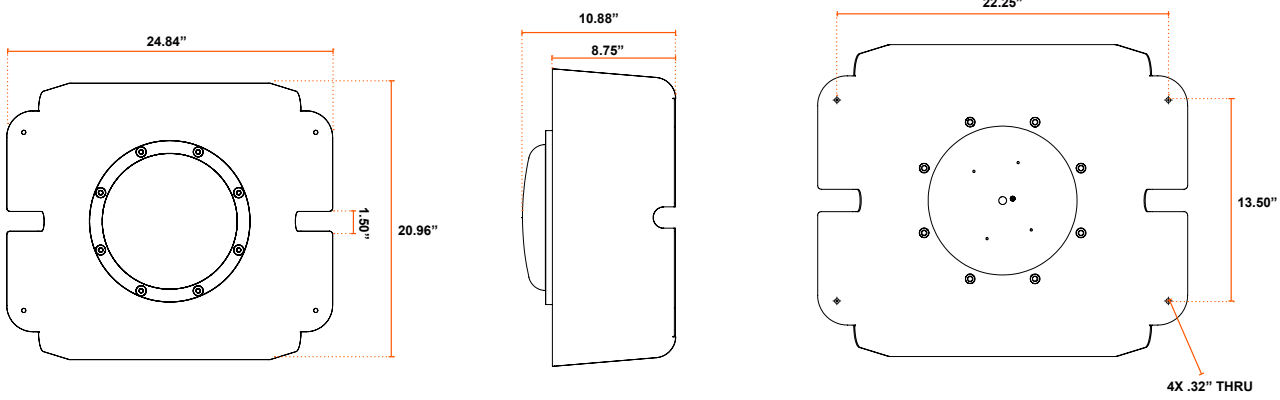


Dimensional Data (Continued)

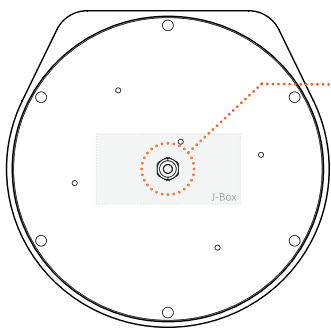
CB Corner Box



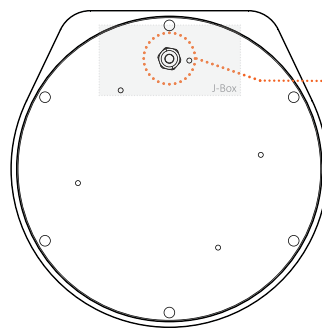
PK Plate



FT & FW OPTIONS

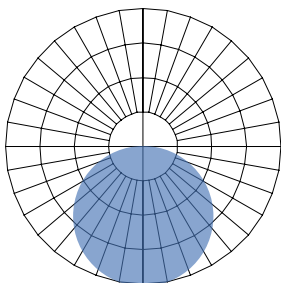


FT Option
Flat Top Ironclad® VR Pro™
 Fits flush up to a ceiling or wall with the cable hub being centered in the fixture.



FW Option
Flat Wall Ironclad® VR Pro™
 Fits flush up to a ceiling or wall with an offset cable hub in the fixture.

Photometric Data



- Indoor Report**
- Maximum Candela = 1208.35
 - Light Loss Factor = 1.00
 - Luminaire Lumens = 4060

Operational Data

Operating Characteristics 120 VAC

Watt	CCT	Lumens	Description	IES File
6W	2700K	447	VR PRO 6W NIGHT LIGHT 2700K CCT ON 120VAC	VR-6W-2700K-UR-120VAC.ies
35W	2700K	2700	VR PRO 35W 2700K CCT ON 120VAC	VR-35W-2700K-UR-120VAC.ies
35W	3000K	2788	VR PRO 35W 3000K CCT ON 120VAC	VR-35W-3000K-UR-120VAC.ies
35W	4000K	2976	VR PRO 35W 4000K CCT ON 120VAC	VR-35W-4000K-UR-120VAC.ies
35W	5000K	2918	VR PRO 35W 5000K CCT ON 120VAC	VR-35W-5000K-UR-120VAC.ies
42W	2700K	3195	VR PRO 42W 2700K CCT ON 120VAC	VR-42W-2700K-UR-120VAC.ies
42W	3000K	3320	VR PRO 42W 3000K CCT ON 120VAC	VR-42W-3000K-UR-120VAC.ies
42W	4000K	3617	VR PRO 42W 4000K CCT ON 120VAC	VR-42W-4000K-UR-120VAC.ies
42W	5000K	3455	VR PRO 42W 5000K CCT ON 120VAC	VR-42W-5000K-UR-120VAC.ies

Operating Characteristics 277 VAC

Watt	CCT	Lumens	Description	IES File
6W	2700K	324	VR PRO 6W NIGHT LIGHT 2700K CCT ON 277VAC	VR-6W-2700K-UR-277VAC.ies
35W	2700K	2924	VR PRO 35W 2700K CCT ON 277VAC	VR-35W-2700K-UR-277VAC.ies
35W	3000K	3018	VR PRO 35W 3000K CCT ON 277VAC	VR-35W-3000K-UR-277VAC.ies
35W	4000K	3235	VR PRO 35W 4000K CCT ON 277VAC	VR-35W-4000K-UR-277VAC.ies
35W	5000K	3235	VR PRO 35W 5000K CCT ON 277VAC	VR-35W-5000K-UR-277VAC.ies
42W	2700K	3606	VR PRO 42W 2700K CCT ON 277VAC	VR-42W-2700K-UR-277VAC.ies
42W	3000K	3736	VR PRO 42W 3000K CCT ON 277VAC	VR-42W-3000K-UR-277VAC.ies
42W	4000K	4060	VR PRO 42W 4000K CCT ON 277VAC	VR-42W-4000K-UR-277VAC.ies
42W	5000K	3750	VR PRO 42W 5000K CCT ON 277VAC	VR-42W-5000K-UR-277VAC.ies

Shipping Dimensions

Product	Length	Width	Height	Weight
VR Pro	15.875"	15.625"	4.75"	8lbs
VR Pro With PJ Plate	26"	15"	5"	20lbs
Items Shipped Separately	Length	Width	Height	Weight
JB Surface Box Kit	15.875"	15.625"	4.75"	8lbs
CB Corner Box Kit	10.25"	10.25"	14.5"	7lbs
C3 Corner Box Kit (wide)	16.25"	16.25"	14.25"	10lbs
PK Plate	Bulk Order - sent stacked fashion via pallet.			