



IRONCLAD® UP/DOWN FIXTURE™

The Ironclad® Up/Down fixture is designed to mount at eye level with no direct light from the front. With light washing up and down from the fixture it lights up a room without direct light shining directly at the user. The housing is able to withstand abuse, and drastically impede tampering, removal, or damage to the light fixture within a prison facility. The fixture itself utilizes a specially engineered 14 gauge steel frame, and 1/2" lens which makes it virtually indestructible. Featuring field selectable wattage and color temps, giving the installer the option to dial in the exact light level desired by the facility.



Manufactured in America with globally and domestically sourced components

Ordering Chart Information

Example: UDF-SK-CR-CM-Y-VH-WH-PC-00-MS-00-01

| Fixture | Wattage | | CCT | | Mount | Count / Night Light | | Voltage | | Material | Lens |
|---------------------|-------------------------------|--|-------------|-----------------------------------|-----------------|---------------------|-------------------|---------|-----------------------|----------------------|----------------------------|
| | SK | Selectable to 42W-High, 32W-Med, 24W-Low | SK | Selectable to 3.5K, 4K, 5K | | Y | Yes | VH | 120 to 277 VAC | | |
| UDF UP/DOWN Fixture | 40 | 40W | CR | Circadian Rhythm Wireless Control | CM Center Mount | N | No | EB | W/ Ext Battery Backup | WH Powder Coat White | PC Polycarbonate (Frosted) |
| | Accessory 1 | | Accessory 2 | | | Accessory 3 | | Rev | | | |
| 00 | None | | 00 | None | | 00 | None | | 01 | | |
| 1W | 1 Foot Whip | | TC | Tapcon Concrete Screws | | S1 | Switch One Side | | | | |
| 2W | 2 Foot Whip | | CF | Cinder Block Fasteners | | S2 | Switch Both Sides | | | | |
| SW | Sample Whip | | MS | Metal Ceiling Screws | | | | | | | |
| S2 | Sample Whip + Sample Hardware | | | | | | | | | | |

For accessories not shown or custom plates, please contact customer service at (800) 223-0853.

*CCT=SK cannot be selected with Wattage=40

*CCT=CR cannot be selected with Wattage=SK

Specifications

Lumens: Polycarbonate Lens: 2500-4200 lm

Watts: Selectable - 42W-High, 32W-Med, 24W-Low 40W - Circadian Rhythm

Voltage: 120-277 VAC

LED Life: L70>75,000 Hours; Projected>100,000 Hours

Lens: 0.25" Polycarbonate

Dimming: 0-10V (STD)

Installation: Secure installation with no accessible parts or hinges

Dimensions: 25.9" x 4.9" x 3.7"

Color Temperatures:

3500K: Warm White

4000K: Natural White

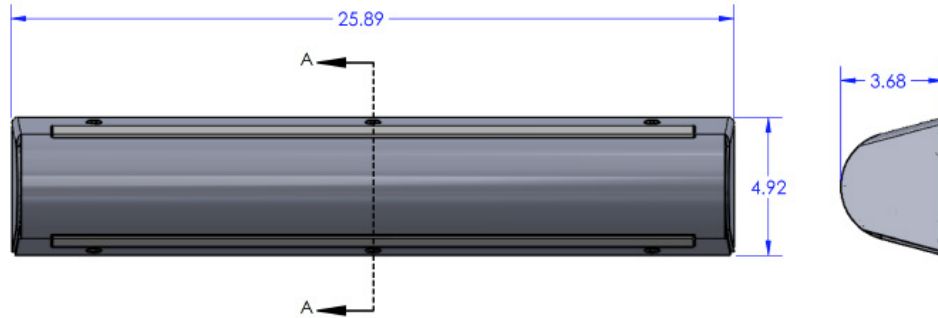
5000K: Cool White

Warranty: 5-year limited warranty. Complete warranty terms located [here](#).

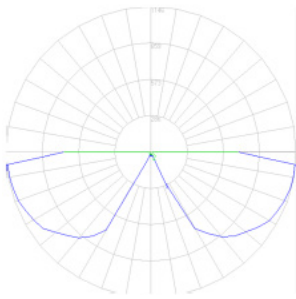
Features

- IK10 impact resistance - Hammer & Knife tested
- Main light and count/night light option
- Wattage and Kelvin temp field selectable
- CR option: Includes full wireless control such as CCT, Power, On/Off, dimming, Circadian Rhythm and scheduling selection to all networked fixtures via a mesh network
- Push Button Switch option: Tamper proof and IP65 rated

Dimensional Data



Photometric Data



Indoor Report

- Maximum Candela = 1954.19
- Light Loss Factor = 1.00
- Luminaire Lumens = 4176

Photometric Data

Photometric Data - PC Lens

| Watt | Lens Material | CCT | Lumens | Additional Info | IES File |
|------|---------------|-------|--------|-----------------------------------|--------------------|
| 24W | PC | 3500K | 2501 | 24W UP-Down - PC Lens - 3500K CCT | UDF-24W-3500K-N-PC |
| 24W | PC | 4000K | 2570 | 24W UP-Down - PC Lens - 4000K CCT | UDF-24W-4000K-N-PC |
| 24W | PC | 5000K | 2533 | 24W UP-Down - PC Lens - 5000K CCT | UDF-24W-5000K-N-PC |
| 32W | PC | 3500K | 3099 | 32W UP-Down - PC Lens - 3500K CCT | UDF-32W-3500K-N-PC |
| 32W | PC | 4000K | 3249 | 32W UP-Down - PC Lens - 4000K CCT | UDF-32W-4000K-N-PC |
| 32W | PC | 5000K | 3194 | 32W UP/Down - PC Lens - 5000K CCT | UDF-32W-5000K-N-PC |
| 42W | PC | 3500K | 3964 | 42W UP-Down - PC Lens - 3500K CCT | UDF-42W-3500K-N-PC |
| 42W | PC | 4000K | 4176 | 42W UP-Down - PC Lens - 4000K CCT | UDF-42W-4000K-N-PC |
| 42W | PC | 5000K | 4067 | 42W UP-Down - PC Lens - 5000K CCT | UDF-42W-5000K-N-PC |

Photometric Data - Count/Night Light - PC Lens

| Watt. | Lense Material | CCT | Lumens | Additional Info. | IES File |
|-------|----------------|-------|--------|---|--------------------|
| 10W | PC | 2700K | 640 | Night Light Only | UDF-10W-2700K-Y-PC |
| 34W | PC | 3500K | 3097 | 24W UP-Down - PC Lens - 3500K CCT W/ Night Light On | UDF-24W-3500K-Y-PC |
| 34W | PC | 4000K | 3153 | 24W UP-Down - PC Lens - 4000K CCT W/ Night Light On | UDF-24W-4000K-Y-PC |
| 34W | PC | 5000K | 3170 | 24W UP-Down - PC Lens - 5000K CCT W/ Night Light On | UDF-24W-5000K-Y-PC |
| 42W | PC | 3500K | 3737 | 32W UP-Down - PC Lens - 3500K CCT W/ Night Light On | UDF-32W-3500K-Y-PC |
| 42W | PC | 4000K | 3836 | 32W UP-Down - PC Lens - 4000K CCT W/ Night Light On | UDF-32W-4000K-Y-PC |
| 42W | PC | 5000K | 3797 | 32W UP-Down - PC Lens - 5000K CCT W/ Night Light On | UDF-32W-5000K-Y-PC |
| 52W | PC | 3500K | 4578 | 42W UP-Down - PC Lens - 3500K CCT W/ Night Light On | UDF-42W-3500K-Y-PC |
| 52W | PC | 4000K | 4749 | 42W UP-Down - PC Lens - 4000K CCT W/ Night Light On | UDF-42W-4000K-Y-PC |
| 52W | PC | 5000K | 4686 | 42W UP-Down - PC Lens - 5000K CCT W/ Night Light On | UDF-42W-5000K-Y-PC |