

Installation Instructions

Ironclad® GDL - General Duty Linear Correctional Fixture

Two-Person Installation

TOOLS/ MATERIALS NEEDED:

- Hammer drill & 1/4" concrete bit for spike anchors, 3/8" concrete bit for tamper-proof bolts
- Hammer (highly recommend using optional Spike Driver Installation tool in place of actual hammer)
- Setting tool for tamper-proof bolt anchors

IMPORTANT: READ CAREFULLY BEFORE INSTALLING FIXTURE. RETAIN THESE INSTRUCTIONS FOR FUTURE REFERENCE.

Must be wired in accordance with the National Electrical Code and all applicable local codes.

THIS PRODUCT MUST BE INSTALLED IN ACCORDANCE WITH THE APPLICABLE INSTALLATION CODE BY A PERSON FAMILIAR WITH THE CONSTRUCTION AND OPERATION OF THE PRODUCT AND THE HAZARDS INVOLVED.

WARNING: Make certain power is OFF before installing or maintaining fixture.

No user serviceable parts inside. Cannot be upgraded or re-used after life of fixture.

CONTENTS

- Ironclad® GDL Assembled LED fixture
- (10) Spike concrete anchors

Not included but recommended for installation of spike anchors:

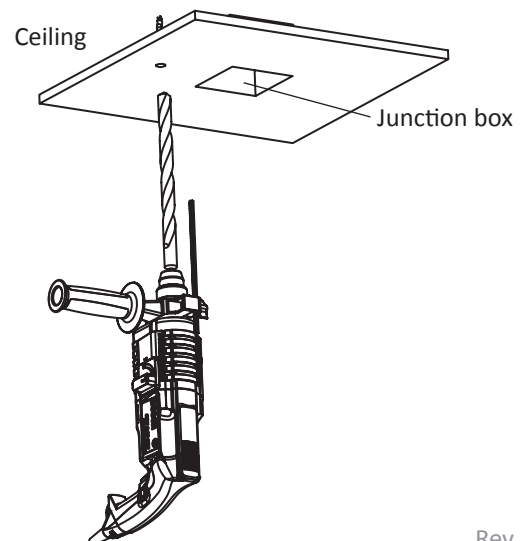
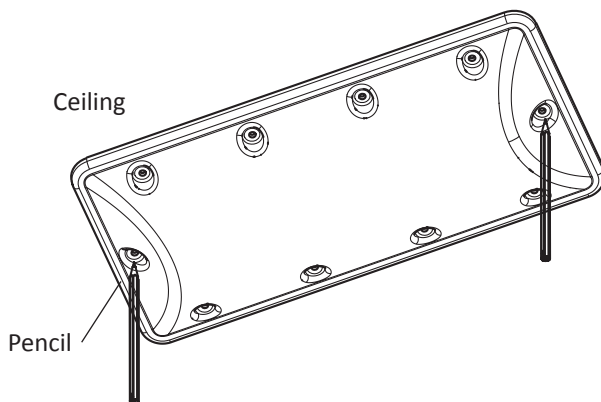
- Hammer Drill Spike Driver Installation Tool
- 1/4" concrete bit for spike anchors
- 3/8" concrete bit for tamper-proof bolts

OPTIONAL installation hardware

- Tamper proof Torx 20 bolts
- Drop-in 1/4" x20 anchors
- Anchor setting tool

MOUNTING FIXTURE TO CEILING

1. Turn power OFF.
2. Place and center fixture up to junction box in ceiling lining up the power output wires to the center of the jbox
3. Mark two hole positions as shown onto the ceiling using a pencil or marking device.
4. Move fixture away from marked spots
5. For spike anchors, drill hole at marked location using a hammer drill and 1/4" concrete bit. Drill hole 2" deep for 2" anchor and 1.5" deep for 1.5" anchor. Remove any dust in hole.
6. For drop in anchors, drill 3/8" holes, minimum 1" deep and set anchors into ceiling with setting tool.



6. While one person is holding the fixture, the other person make the wire connections. See wiring instructions below.
 7. **Critical:** Turn power ON and test fixture with wall switch to make sure fixture is working before completing installation.
It is recommended that a bead of caulking is applied around the perimeter of the fixture prior to securing to the ceiling
 8. After confirming fixture powers on, **turn power off**, remove paper liner off of the gasket on the back of fixture to expose the adhesive and then position fixture up to ceiling and lining up the two previously drilled holes and tuck all wires into junction box.
 9. One person hold the fixture to the ceiling and the other person drive two spike anchors or tamper-proof bolts to secure the fixture to the ceiling.
 10. Continue drilling remaining 8 holes for required anchors. If using tamper-proof bolts, remove the two tamper-proof bolts and set anchors into ceiling with setting tool for the remaining holes.
 11. Drive all spike anchors or bolts securely.
-

WIRING INSTRUCTIONS: *Make wire connections using approved NEC code connectors.*

1. If only one set of power wires are present, connect both white wires from fixture to white neutral in junction box and connect both black wires to black hot wire in junction box. Green wire is ground.
2. If there are two sets of wires in junction box for two switches on wall to control the main light and night light, connect white and black wire of main fixture to one set of white and black wires in junction box. Connect the night light white and black wires on fixture (marked with label) to the other set of white and black wires in the junction box. Green wire is ground.