

## Installation Instructions

### Ironclad® Corner Pro Correctional Fixture

#### Two-Person Installation

##### TOOLS/ MATERIALS NEEDED:

- Torx T20 Bit
- Hammer drill & 1/4" concrete bit for spike anchors, 3/8" concrete bit for tamper-proof bolts
- Hammer Drill Spike Driver Installation Tool
- Hammer (highly recommend using optional Spike Driver Installation tool in place of actual hammer)
- Setting tool for tamper-proof bolt anchors

##### **IMPORTANT: READ CAREFULLY BEFORE INSTALLING FIXTURE. RETAIN THESE INSTRUCTIONS FOR FUTURE REFERENCE.**

Must be wired in accordance with the National Electrical Code and all applicable local codes.

THIS PRODUCT MUST BE INSTALLED IN ACCORDANCE WITH THE APPLICABLE INSTALLATION CODE BY A PERSON FAMILIAR WITH THE CONSTRUCTION AND OPERATION OF THE PRODUCT AND THE HAZARDS INVOLVED.

**WARNING:** Make certain power is OFF before installing or maintaining fixture.  
No user serviceable parts inside. Cannot be upgraded or re-used after life of fixture.

##### CONTENTS

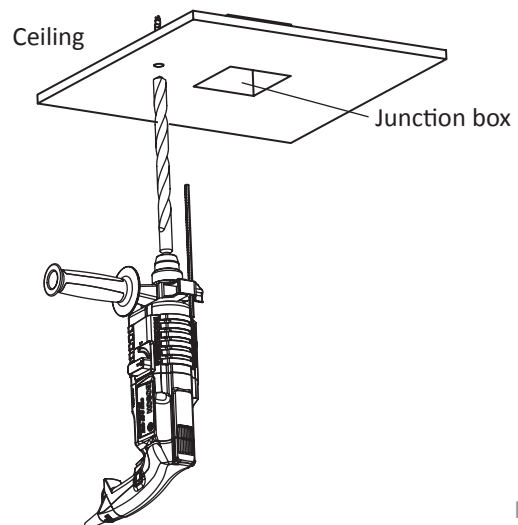
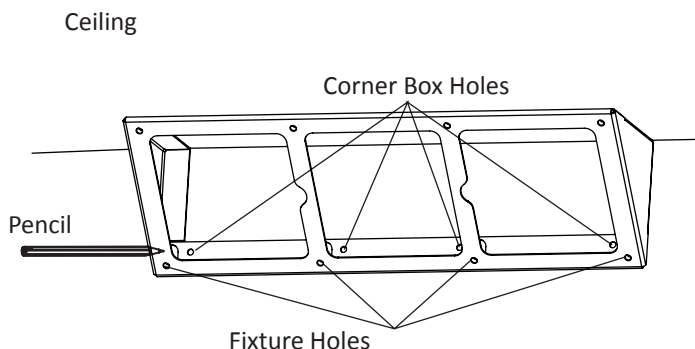
- Ironclad® Linear Pro Assembled LED fixture

##### OPTIONAL installation hardware:

- Spike concrete anchors
- Anchor setting tool
- Tamper proof 1/4" x 1" T20 Torx bolts
- Pick Proof Caulking
- Drop-in 1/4" x 20 anchors

##### MOUNTING FIXTURE TO CEILING/WALL

1. Turn power OFF.
2. Remove (2) Torx Head bolts holding fixture to corner box and set bolts aside with fixture.
3. Place corner box over existing junction box in ceiling with adequate access to the surface box.
4. If using spike anchors mark (2) hole positions opposite each other onto the ceiling and wall using a pencil or marking device. *(Mark all (8) hole positions if using wall anchors)*
5. Move corner box away from marked spots.
6. For spike anchors, drill holes at marked location using a hammer drill and 1/4" concrete bit. Drill hole 2" deep for 2" anchor and 1.5" deep for 1-1/2" anchor and removed any dust in the holes.
7. For drop-in anchors, drill (8) 3/8" holes, minimum 1" deep and set anchors into ceiling with setting tool.



8. With one person holding the corner box to the wall/ceiling, have the other person drive (2) spike anchors or (2) tamper-proof bolts to secure the fixture to the wall and ceiling.
  9. If using spike anchors, continue drilling the remaining (6) holes for required anchors using the holes in corner box as guides.
  10. Drive all spike anchors or bolts securely in place.
  11. While one person is holding the fixture, the other person will make the wire connections. See wiring instructions below.
  12. **Critical: Turn power ON and test fixture with wall switch to make sure fixture is working before completing installation.**
  13. After confirming fixture powers on, **turn power off**; then position fixture up to corner box and lining up holes install (2) tamper-proof bolts in opposite corners to secure the fixture to the box.
  14. Continue installing remaining (6) tamper-proof bolts.
  15. Add a bead of pick proof caulking around the perimeter of the fixture and another bead around the perimeter of the corner box.
- 

**WIRING INSTRUCTIONS:** *Make wire connections using approved NEC code connectors.*

1. If only one set of power wires are present, connect the white wire from the fixture to the white neutral wire in the junction box and connect the black wire from the fixture to the black hot wire in in the junction box. Connect the green wire to ground.
2. If there are two sets of wires in the junction box for independent switches on the wall to control the main light and night light separately; connect the (non-labeled) white and black wires from the fixture to the matching white and black wires in the junction box. Connect the night light white and black wires from the fixture (marked with labels) to the other set of white and black wires in the junction box. Connect the green wire to ground.