



IMPORTANT SAFEGUARDS READ AND FOLLOW ALL SAFETY INSTRUCTIONS.

When using electrical equipment, basic safety precautions should always be followed including the following:

- **DISCONNECT AC POWER SUPPLY BEFORE SERVICING.**
- Installation and servicing of this equipment should be performed by qualified service personnel only.
- Ensure that the electrical wiring conforms to the National Electrical Code NEC® and local regulations if applicable.
- Do not mount near gas or electrical heaters.
- Equipment should be mounted in locations and at heights where it will not be readily subjected to tampering by unauthorized personnel.
- The use of accessory equipment not recommended by the manufacturer may cause an unsafe condition.
- Any modification or use of non-original components will void the warranty and product liability.
- Do not use this equipment for other than intended use.

SAVE THESE INSTRUCTIONS!

SA Series

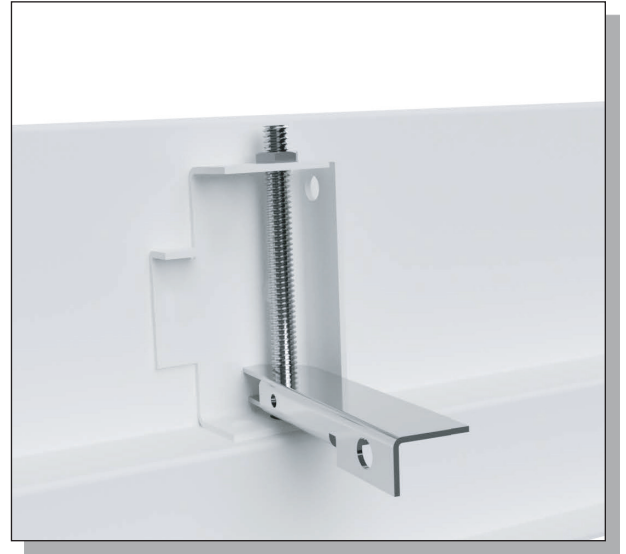
Installation Instructions

Recessed Flange

1. See page 3 for rough in dimensions. A good rule of thumb is to allow for .125" extra on each side. It is important for a straight and square opening to be cut, along with a flat ceiling surface in order to get a good seal. The cutout should always be cut into solid, whole pieces of gypsum.
2. Swing arm brackets are included to mount fixture to the ceiling structure. Once the ceiling cutout is created, on the plenum side, frame the opening.
3. We recommend framing around the entire opening, starting at the rough opening. Frame material and ceiling material thickness must be a minimum of 1 1/2" and a maximum of 3". Framing material provided by others.
4. Secure gypsum board to the framing material, around the opening. Make sure that the surface around the opening is smooth, flat, and does not have more than 1/32" deviation from a straight edge. Seams and joints in the ceiling need to be outside of the fixture cutout. Ensure that any structural members running underneath the gypsum are whole pieces that run the length of the cutout, and not solely underneath the included swing arm brackets.
5. Create a continuous bead of RTV108 silicone on the rear side of the housing flange.
6. Remove the doorframe. Once the fixture is connected, raise the fixture into the cutout opening.
7. Turn the swing arm brackets away from the housing. Let the swing arm brackets rest on framing to support the fixture. Once stationary, continue to tighten the screws on the swing arm brackets to fully seat the fixture in the cutout.
8. Tighten swing arm screws until fixture is secure.
9. Ensure that door frame screws are tightened to seal the door frame to the fixture.

Recessed Grid

1. Fixture was designed to lay in to 1.00"/1.50" T bar grid applications. Designed for vertical grid thickness of less than a quarter inch, and a maximum height of 1.50". Grid systems with a standard 12, 24, or 48 inch centerline spacing of grid can be installed.
2. Turn the four (4) swing arm brackets into the fixture to stow them in the unused position. To secure the fixture, use hanger wire to loop through the holes on the swing arm bracket system.
3. Open access plate to make connections into the fixture. Run an appropriate flexible raceway system into the access plate knockout, and ensure that fixture is sealed to maintain IP rating.
4. Close top access plate and tighten screws.



Electrical Connections

1. Connect the line fixture lead to the black supply lead.
2. Connect the neutral fixture lead to the white supply lead.
3. Connect the ground fixture lead to the green supply lead.
4. Connect the DIM+ fixture lead to the purple supply lead.
5. Connect the DIM- fixture lead to the pink supply lead.

Note: If dimming wires are not used make sure they are capped.

This fixture auto adjusts for voltages between 120-277VAC.

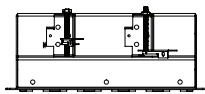
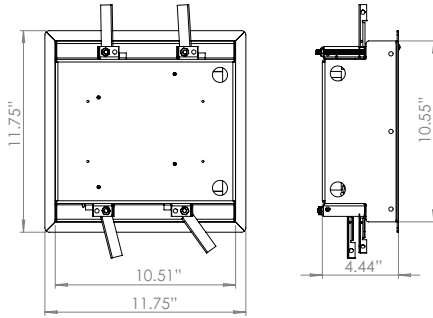
SA Series

Installation Instructions

DIMENSIONS

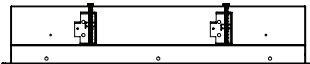
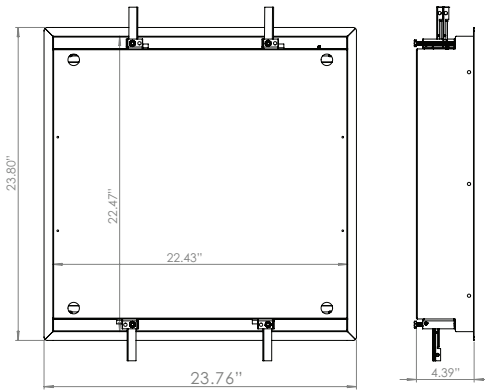
1X1

ROUGH IN SIZE 10 13/16" X 10 3/4"



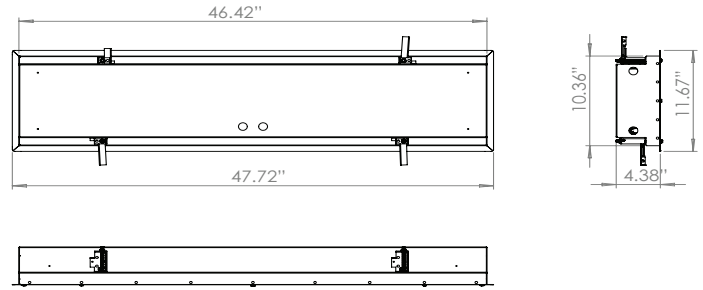
2X2

ROUGH IN SIZE 22 5/8" X 22 5/8"



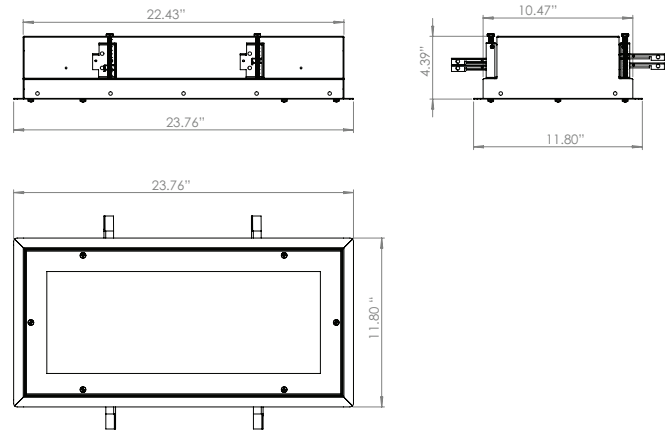
1X4

ROUGH IN SIZE 46 11/16" X 10 5/8"



1X2

ROUGH IN SIZE 22 11/16" X 10 5/8"



2X4

ROUGH IN SIZE 46 5/8" X 22 11/16"

