

### DESCRIPTION

The SA Series correctional grade LED flat panel is designed for maximum-security and behavioral-health facilities including correctional institutions, detention centers, psychiatric wards, and any high-abuse environment requiring ligature-resistant, tamper-proof lighting. Offered in 1' x 1', 1' x 2', 1' x 4', 2' x 2', and 2' x 4' sizes with static color temperatures between 2700K-5000K CCT and lumen packages from 1,000 to 25,000 lumens, the SA delivers durable, high-performance illumination.

### SPECIFICATIONS

#### Construction:

- Cold rolled steel or stainless steel enclosure
- Die-formed, TIG and spot welded
- Durable TGIC polyester powder coating featuring a 5-stage pre-treatment for superior adhesion and corrosion protection
- Available in white or antimicrobial white paint that inhibits growth of bacteria on the fixture surface
- Tested to 1,000 hours salt spray with 92% reflectance
- Ligature-resistant design
- Tamper resistant T25 Torx hardware
- Recessed design fits most standard T-bar grid ceilings

#### Optics/LEDs:

- Optional inner clear or diffused lens for uniform LED diffusion
- Outer polycarbonate or glass lens
- Lens secured using through studs and vertically adjustable cold rolled steel internal hold-downs
- Lumen packages from 1,000 to 25,000 lumens
- 2700K, 3000K, 3500K, 4000K or 5000K CCT
- CRI ≥ 82, optional 90 CRI (Option: 90)
- Efficacy up to 165 lumens per watt
- L70 > 100,000 hours

#### Electrical:

- Universal 120/277VAC, 50/60Hz
- 0-10V Dimming driver
- Power factor ≥ 0.90
- 347-480VAC option (Option: HVS)

#### Options:

- Integral Battery Backup provides 14-watt emergency for continued illumination during power loss (Option: BB)
- Tamper-resistant allen head screws with center pin for enhanced security over standard Torx with center pin. (Option: AH)
- LED Night Light offers low-level lighting without full illumination (Option: LN)
- IP65-rated sealed construction suitable for wet locations and high-pressure wash-down. (Option: WL)
- High color-rendering LEDs with ≥90 CRI for improved color accuracy (Option: 90)
- Fully integral microwave sensor for automatic occupancy control (Option: SC)

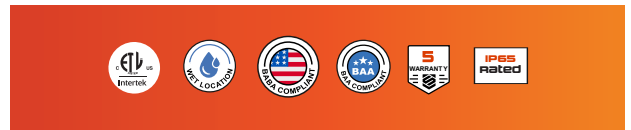
Project: \_\_\_\_\_

Date: \_\_\_\_\_ Type: \_\_\_\_\_



### APPLICATIONS

- Cells
- Dayrooms (Correctional)
- Cafeterias
- Restrooms
- Showers
- Corridors
- Sally Ports
- Recreational (Correctional-Indoor)
- Behavioral Health



### Installation:

- Universal mounting allows for both recessed flanged and recessed grid mounting
- Easy installation with adjustable 90° swing arm system standard

### Testing & Compliance:

- cETL Listed for Damp Locations
- Optional Wet Location (IP65) (Option: WL)
- Buy American Act compliant
- Build America, Buy America Act compliant
- Operating temperatures: -30°C to 50°C (-22°F to 122°F)

### Warranty:

- Five Year Warranty (Terms and Conditions Apply)

Specs at a Glance					
Model	SA-11	SA-12	SA-14	SA-22	SA-24
Wattage (W)*	6.25W - 12.5W	6.25W - 12.5W	6.25W - 68.8W	6.25W - 81.3W	6.25W - 156.3W
Lumens (lm)	1,000 - 2,000	1,000 - 2,000	1,000 - 11,000	1,000 - 13,000	1,000 - 25,000
Efficacy (LPW)	Up to 165				
CCT (K)	2700K, 3000K, 3500K, 4000K, 5000K				
CRI	≥82, Optional 90				
Input Voltage	120/277VAC, 50/60Hz				
Operating Temp	-30°C to 50°C (-22°F to 122°F)				
Certifications	cETL Listed for Damp Locations, Optional Wet Location (IP65)				
Warranty	5 Years				

\* Nominal Wattage, tested at 4000K CCT. See performance table for details.

Note: Environment and application will affect actual performance. Typical values and 25°C (77°F) used for testing. Specifications subject to change without notice.

**ORDERING INFORMATION** (Example: SA-11-6-N-P1-VS-27K-C-12-I-F-BB)

Model	Size	Wattage	Inner Lens	Outer Lens	Voltage	CCT
SA	11' = 1' x 1'	6 = 6 Watt	N = No Lens	P1 = .125 Clear Polycarbonate	VS = 120/277VAC	27K = 2700K
	12' = 1' x 2'	12 = 12 Watt	PA1 = .125 Prismatic Acrylic	P2 = .156 Clear Polycarbonate	HVS = 347-480VAC	3K = 3000K
	14' = 1' x 4'	25 = 25 Watt	PA2 = .156 Prismatic Acrylic	P3 = .187 Clear Polycarbonate		35K = 3500K
	22' = 2' x 2'	43 = 43 Watt	PP1 = .125 Prismatic Polycarbonate	P4 = .250 Clear Polycarbonate		4K = 4000K
	24 = 2' x 4'	68 = 68 Watt	PP2 = .187 Prismatic Polycarbonate	P5 = .375 Clear Polycarbonate		5K = 5000K
		75 = 75 Watt	CP1 = .125 Clear Polycarbonate	TG1 = .187 Clear Tempered Glass		
		81 = 81 Watt	CP2 = .156 Clear Polycarbonate	TG2 = .250 Clear Tempered Glass		
		93 = 93 Watt	CP3 = .187 Clear Polycarbonate	TG3 = .375 Clear Tempered Glass		
		100 = 100 Watt	SY = Symmetric Diffused DR Acrylic	TG4 = .500 Clear Tempered Glass		
		125 = 125 Watt				
		156 = 156 Watt				

Housing/Door Material	Gauge Size	Door Type	Mounting	Finish	Driver
C = Cold Rolled Steel	12 = 12 Gauge	I <sup>5</sup> = Inset Door	F = Flange	AM = Antimicrobial White	BLANK = 0-10V 1% Dimming Driver
S <sup>4</sup> = Stainless Steel	14 = 14 Gauge	O <sup>5</sup> = Overlap Door	G = Grid	WH = White	
	16 = 16 Gauge		FT = Flange / Threaded		
	18 = 18 Gauge				
	20 = 20 Gauge				

Options (Factory Installed)	Notes
90 = 90 CRI	<sup>1</sup> Only available in 6 and 12 Watt
AH = Allenhead Screws w/ Center Pin	<sup>2</sup> Only available in 6, 12, 25, 43, and 68 Watt
BB = 14 Watt Battery Backup	<sup>3</sup> Only available in 6, 12, 25, 43, 68, 75, 81 Watt
LNXX <sup>6</sup> = LED Night Light	<sup>4</sup> Only available in 14, 16, and 18 Gauge
SC = Integral Microwave Sensor	<sup>5</sup> Anti-Ligature only available with Inset Door
WL = Wet Location (IP65)	<sup>6</sup> XX Specify CCT

**PERFORMANCE DATA**

Model	Wattage	CCT	Lumens	LPW	CRI
SA-XX-6	6.25W	2700K	910	146	≥82
SA-XX-6	6.25W	3000K	940	150	≥82
SA-XX-6	6.25W	3500K	970	155	≥82
SA-XX-6	6.25W	4000K	1000	160	≥82
SA-XX-6	6.25W	5000K	1030	165	≥82
SA-XX-12	12.5W	2700K	1820	146	≥82
SA-XX-12	12.5W	3000K	1880	150	≥82
SA-XX-12	12.5W	3500K	1940	155	≥82
SA-XX-12	12.5W	4000K	2000	160	≥82
SA-XX-12	12.5W	5000K	2060	165	≥82
SA-XX-25	25W	2700K	3640	146	≥82
SA-XX-25	25W	3000K	3760	150	≥82
SA-XX-25	25W	3500K	3880	155	≥82
SA-XX-25	25W	4000K	4000	160	≥82
SA-XX-25	25W	5000K	5000	165	≥82

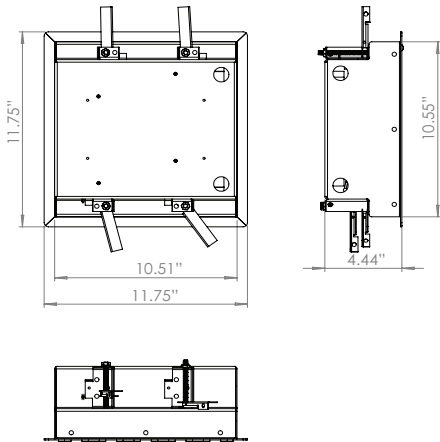
PERFORMANCE DATA (continued)

Model	Wattage	CCT	Lumens	LPW	CRI
SA-XX-43	43.8W	2700K	6370	145	≥82
SA-XX-43	43.8W	3000K	6580	150	≥82
SA-XX-43	43.8W	3500K	6790	155	≥82
SA-XX-43	43.8W	4000K	7000	160	≥82
SA-XX-43	43.8W	5000K	7210	165	≥82
SA-XX-68	68.8W	2700K	10010	145	≥82
SA-XX-68	68.8W	3000K	10340	150	≥82
SA-XX-68	68.8W	3500K	10670	155	≥82
SA-XX-68	68.8W	4000K	11000	160	≥82
SA-XX-68	68.8W	5000K	11330	165	≥82
SA-XX-75	75W	2700K	10920	146	≥82
SA-XX-75	75W	3000K	11280	150	≥82
SA-XX-75	75W	3500K	11640	155	≥82
SA-XX-75	75W	4000K	12000	160	≥82
SA-XX-75	75W	5000K	12360	165	≥82
SA-XX-81	81.3W	2700K	11830	146	≥82
SA-XX-81	81.3W	3000K	12220	150	≥82
SA-XX-81	81.3W	3500K	12610	155	≥82
SA-XX-81	81.3W	4000K	13000	160	≥82
SA-XX-81	81.3W	5000K	13390	165	≥82
SA-XX-93	93.8W	2700K	13650	146	≥82
SA-XX-93	93.8W	3000K	14100	150	≥82
SA-XX-93	93.8W	3500K	14550	155	≥82
SA-XX-93	93.8W	4000K	15000	160	≥82
SA-XX-93	93.8W	5000K	15450	165	≥82
SA-XX-100	100W	2700K	14560	146	≥82
SA-XX-100	100W	3000K	15040	150	≥82
SA-XX-100	100W	3500K	15520	155	≥82
SA-XX-100	100W	4000K	16000	160	≥82
SA-XX-100	100W	5000K	16480	165	≥82
SA-XX-125	125W	2700K	18200	146	≥82
SA-XX-125	125W	3000K	18800	150	≥82
SA-XX-125	125W	3500K	19400	155	≥82
SA-XX-125	125W	4000K	20000	160	≥82
SA-XX-125	125W	5000K	20600	165	≥82
SA-XX-156	156.3W	2700K	22750	146	≥82
SA-XX-156	156.3W	3000K	23500	150	≥82
SA-XX-156	156.3W	3500K	24250	155	≥82
SA-XX-156	156.3W	4000K	25000	160	≥82
SA-XX-156	156.3W	5000K	25750	165	≥82

**DIMENSIONS**

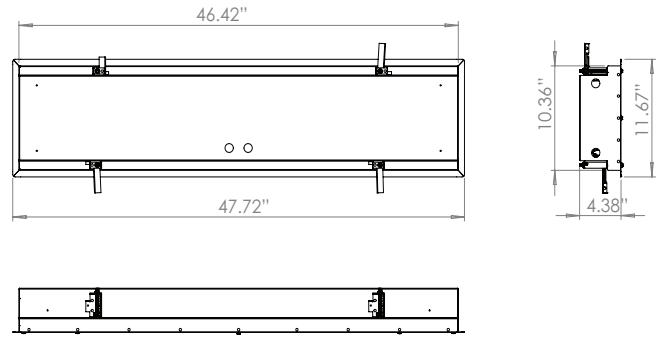
**1X1**

**ROUGH IN SIZE 10 13/16" X 10 3/4"**



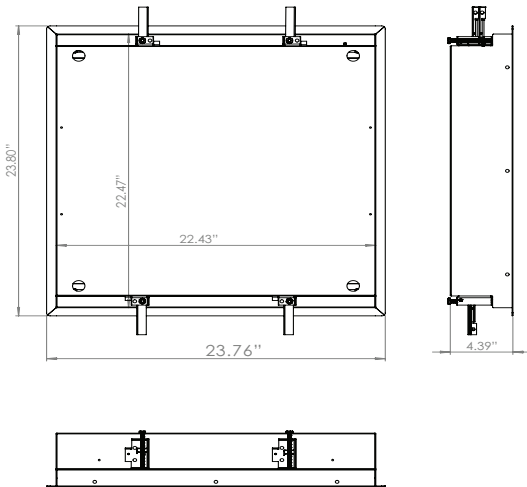
**1X4**

**ROUGH IN SIZE 46 11/16" X 10 5/8"**



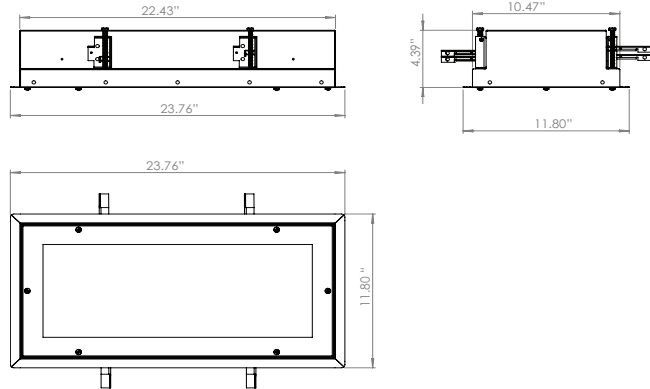
**2X2**

**ROUGH IN SIZE 22 5/8" X 22 5/8"**



**1X2**

**ROUGH IN SIZE 22 11/16" X 10 5/8"**



**2X4**

**ROUGH IN SIZE 46 5/8" X 22 11/16"**

