



## IRONCLAD® LDL LIGHT DUTY LINEAR

The Ironclad® Light Duty Linear is a durable, easy-to-install LED fixture for area, walk-way, or task lighting. It can be used alone or linked in-line and is built to resist moisture, dust, chemicals, and corrosion. Rated IP69K/IP66 for wash-down resistance, IK10 for impact protection, and certified NEMA4X, NEMA5, UL Wet Location, and UL1598.



### Ordering Chart Information

Example: 020-LDL-2-50-MT-PC-1WX-RM3-000-01

Wattage		Fixture	-	CCT	Mount		Lens		End A	
020	20W 2FT	LDL Light Duty Linear	2	50 5000K	00	Ceiling/Wall	PC	Polycarbonate	1WX	1FT Whip
050	50W 4FT				MT	Wire Hanging HW	RD	Red Wrapped PC	1WC	1FT Whip w/ Connector
									RM3	Remke 3 Pin Male
									RF3	Remke 3 Pin Female
End B					Accessory 1					Rev
1WX	1FT Whip				000	None				01
1WC	1FT Whip w/ Connector				SAM	Sample Cord				
RM3	Remke 3 Pin Male				3RC	Remke 3 Pin 3FT Cord M/F				
RF3	Remke 3 Pin Female				MCF	McCain Foods Cable & Plug				
CAP	End Cap									

For accessories not shown or custom plates, please contact customer service at (800) 223-0853.

### Specifications

**Lumens:** 2700, 6800 lm

**Watts:** 20W, 50W

**Voltage:** 120-277 VAC 50/60 HZ

**Operating Temp:** -30°C to + 50°C (-22°F to +122°F)

**LED Life:** L70>54,000 Hours; Projected>100,000 Hours

**Lens:** 2.75" Diameter Polycarbonate Frosted Lens in 2FT and 4FT lengths

**Installation:** Surface mount or suspended mount; Standalone or Daisy Chained

**Mounting:** .125" aluminum heat sink to maintain thermal management.

**Dimensions:** 20W/ 23" Long, 50W/54" Long x 2.75"

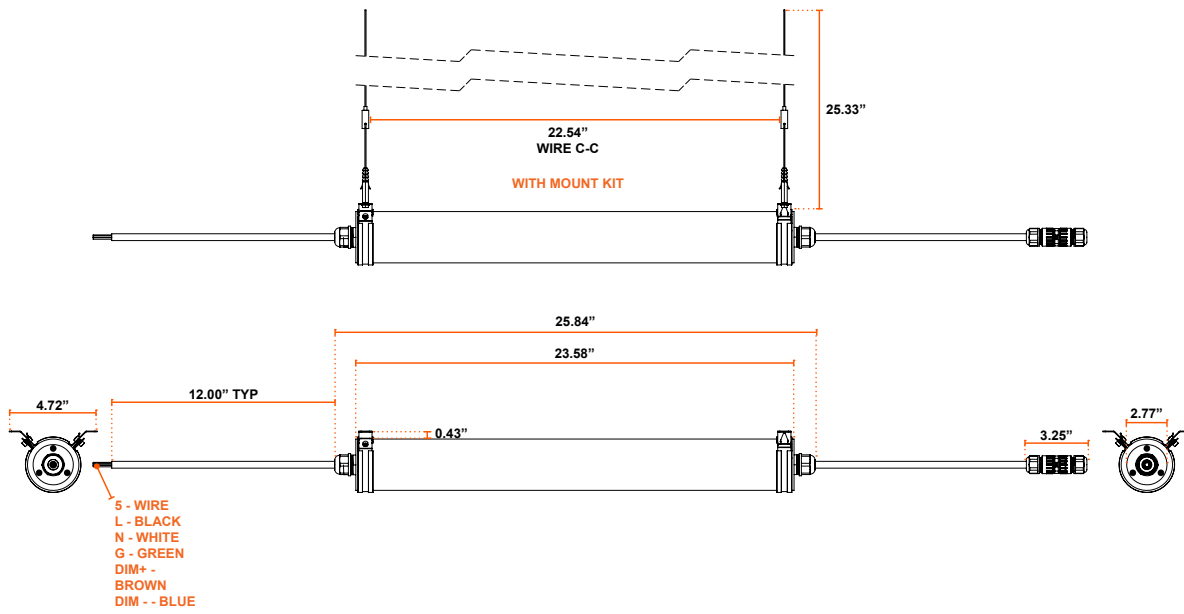
**Color Temperatures:** 5000K, 4000K (custom order only)

**Features:** 4000K (custom order only) or 5000K CCT 80 CRI, 0-10V Dimming, 120° beam angle for most applications, Eco-friendly alternative to traditional fluorescent lighting systems.

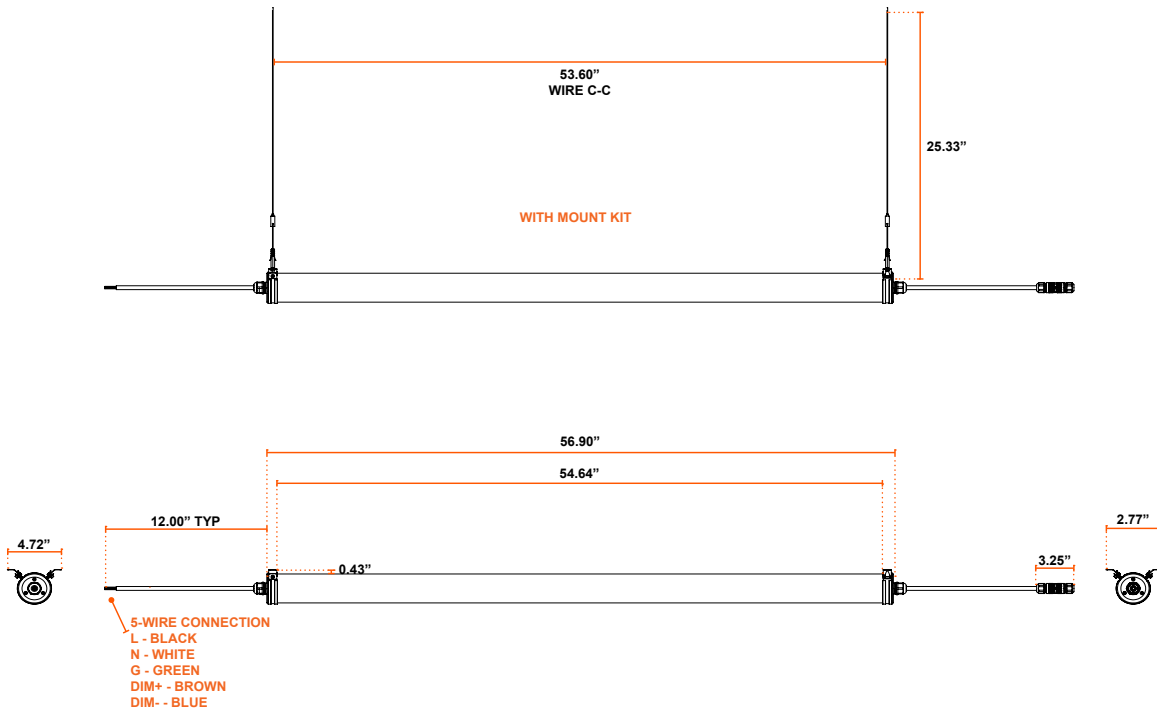
**Warranty:** 5-year limited warranty. Complete warranty terms located [here](#).

Dimensional Data

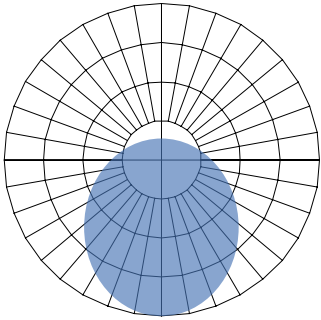
FXLDTF20PC5K-WCONN-MT-KIT-LDL



FXLDTF50PC5K-WCONN-MT-KIT-LDL



**Photometric Data**



**Operational Data**

**Photometric Data Characteristics - PC Lens**

Watt	Lens Material	CCT	Lumens	Additional Info.	IES File
20W	PC	4000K	2688	20W LDL - 2FT - 4000K CCT - PC LENS	LHB13-020-4080-L00C18-02_IES2002
50W	PC	4000K	6862	50W LDL - 4FT - 4000K CCT - PC LENS	LHB13-050-4080-L00C18-02_IES2002
20W	PC	5000K	2688	20W LDL - 2FT - 5000K CCT - PC LENS	LHB13-020-4080-L00C18-02_IES2002
50W	PC	5000K	6862	50W LDL - 4FT - 5000K CCT - PC LENS	LHB13-050-4080-L00C18-02_IES2002

**Shipping Dimensions**

Product	Length	Width	Height	Weight
LDL-20W	34"	5"	5"	5 lbs
LDL-50W	64"	5"	5"	7 lbs