



Project		Date	
Type		Notes	

Ironclad® ZERO-WATT- INH Series Exit Signs

BUILT FOR THE TOUGHEST ASSIGNMENTS: The Ironclad® Zero-Watt INH series provides rugged cast aluminum heavy duty frames with a 3/8" polycarbonate lens for more demanding correctional and institutional applications. As the name implies, this maintenance-free fixture is self-sustaining and runs up to 20 years with no batteries, no wiring, and zero electricity. ZeroWatt is recyclable at the end of it's useful life.

Construction

- Heavy-duty cast aluminum frame offered in single and double face (mounting bracket included with double face sign)
- 6" high letters with 3/4" stroke available with Red, Green, or Black faceplate suitable for use in hazardous atmospheres and damp locations. Meets NEC Article 500, Class 1, 11 and 111 conditions
- Beveled edges and rounded corners withstand high impacts
- Tamper proof mounting hardware prevents unauthorized removal
- Standard exterior finish, brushed aluminum with clear lacquer coating. Custom paint or anodized colors available
- Aluminum stencil face with field selectable chevron directional indicators
- 3/8" clear Polycarbonate shield seals lamp compartment and prismatic refractor lens
- Operating temperature -55°C to 80°C
- Available in service life ratings of 10 or 20 years

Power Source

- Non-electrical, internally illuminated by sealed tritium gas light sources
- Requires no external light source, electrical power, wiring or batteries 100% reliable, maintenance free and always on

Illumination

- Green light output for maximum visibility in emergency conditions
100 foot visibility rating

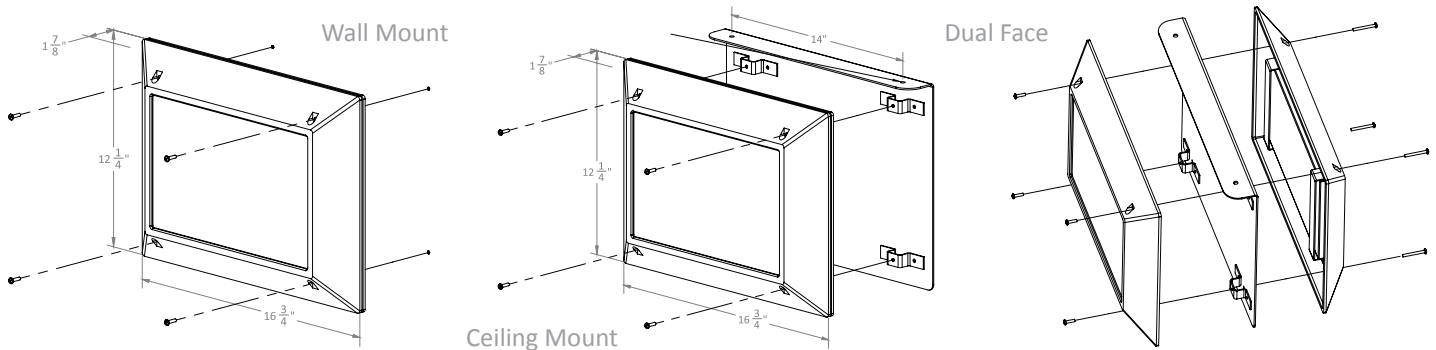
Certification

- Tested, approved and listed by Underwriters Laboratories to UL 924, and meets NFPA101 Life Safety Code

Warranty

- Limited warranty for the rated life of the product

Dimensional Drawing



Ordering Guide

Model	Service Life	No. of Faces	Face Color	Frame Color	Options
INH					
	10 = 10 Years	1 = Single Face	R = Red	BA = Brushed Aluminum	MB = Mounting Bracket for Single or Double Face Signs
	20 = 20 Years 1/8" Polycarbonate	2 = Double Face	G = Green	B = Black	
			B = Black	W = White	